



SAFETY & ASSEMBLY INSTRUCTION

powerCON® HC | Locking 2P+PE AC appliance coupler



IMPORTANT SAFETY INSTRUCTION

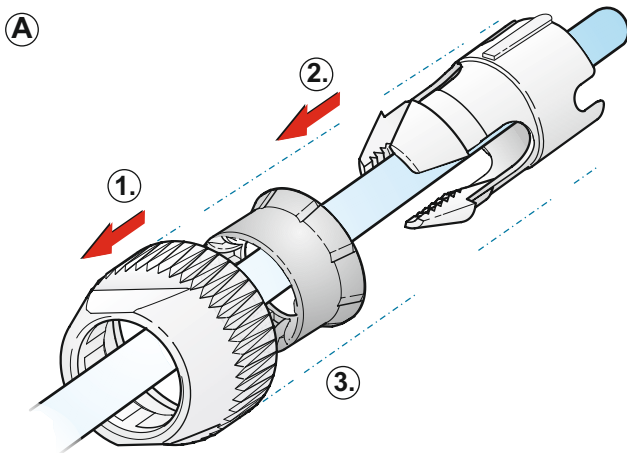
Caution: Connector without breaking capacity acc. IEC 61984 - must not be engaged or disengaged when under load or live.

Attention: Ne pas utiliser pour couper le courant.

FEATURES

- 250 Vac, 32 Amp (at ambient temperatures up to 35°C) / 30 Amp for cUR
- Cable O.D. 17 mm (general range: 8.0 to 20.0 mm)
- Wiring: Cable Connector: Screw-type terminals for stranded wires 6.0 mm² (AWG 10)
Chassis Connector: Screw-type terminals for wires 6.0 mm² (AWG 10)

1. ASSEMBLY INSTRUCTIONS | Cable Connector

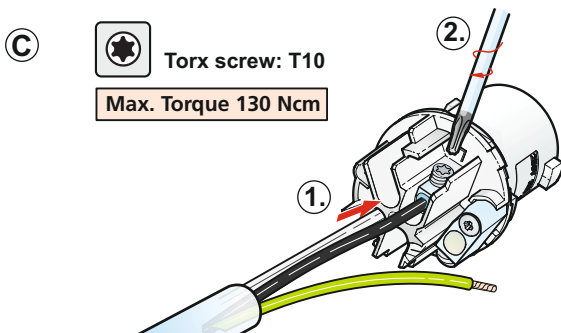


- A** Slide bushing (1) and chuck (2) onto the cable end.
If cable O.D.:
Less 15 mm please use reduction piece (3).

- B** Prepare cable as shown.
Consider excessive length of PE conductor for slackening.

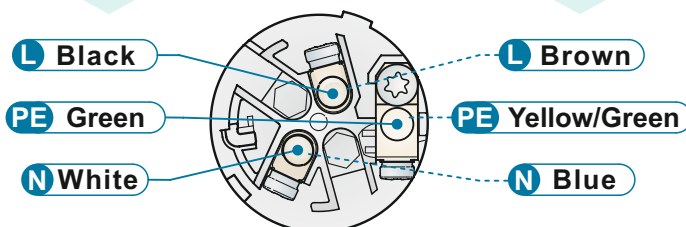


Strip the wires.



- Caution:**
The conductor cross section for the rated current is 6 mm² (10 AWG). In the exceptional case that the conductor cross section area is smaller as the rated cross section the maximum current load carrying capacity has to be assessed according to the limit of the conductor. Also it is advised to use wire end sleeves for smaller cross section areas.

Conductor colors according to color coding of North American cords or rest of the world.



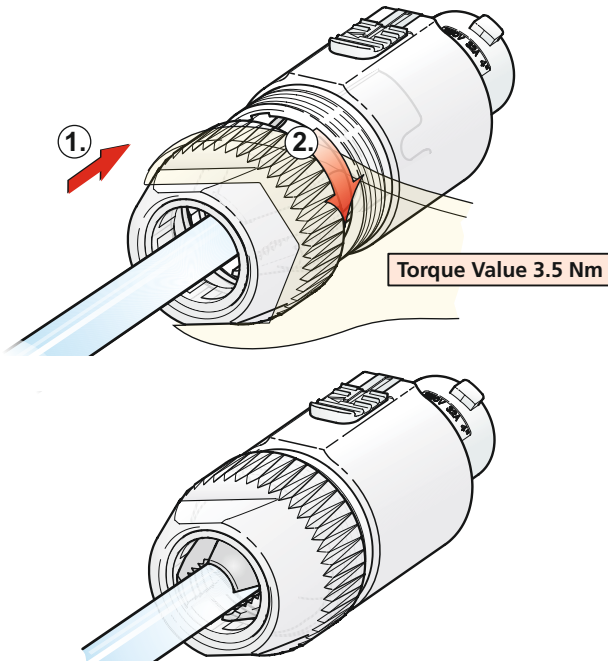
- C** Insert wires into terminals L, PE and tighten.

ATTENTION: Max torque 130 Ncm

Wiring (left):



D



D 1. Push insert and chuck into housing.

Important: Align the chuck and insert by positioning the nose into keyway.

2. Tighten bushing using open wrench 27 mm, min. torque 3.5 Nm.

Assembled Connector

2. ASSEMBLY INSTRUCTIONS | Receptacle

A **Wiring:**

Strip the wires.



Insert wires to terminals and tighten.

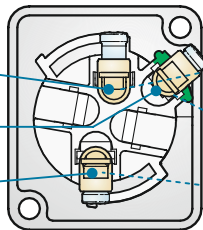
B **Panel cutout (rear side):**

Conductor colors according to color coding of North American cords or rest of the world.

L Black

PE Green

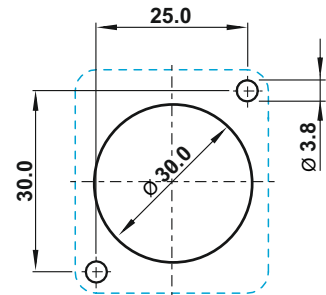
N White



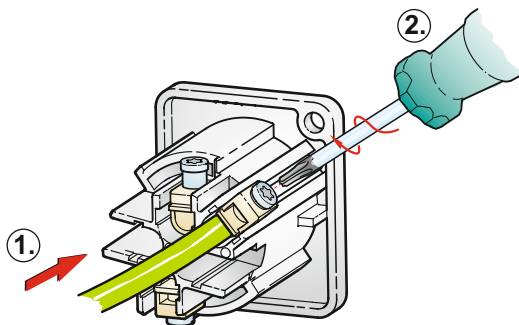
L Brown

PE Yellow/Green

N Blue



ATTENTION: Max torque 130 Ncm (2.)



Neutrik AG LI T: +423 / 237 24 24 F: +423/232 53 93
 Neutrik USA Inc. USA T: +1 704 / 972 3050 F: +1 704/438 9202
 Neutrik (UK) Ltd. UK T: +44 1983 / 811 441 F: +44 1983/811 439
 Neutrik Vertriebs GmbH DE/NL/AT/DK T: +49 8131 / 280 890 F: +49 8131/280 830

Neutrik France FR T: +33 1/4131 6750 F: +33 1/4131 0511
 Neutrik Tokyo Ltd. JP T: +81 3/3663 4733 F: +81 3/3663 4796
 Neutrik Hong Kong Ltd. HK T: +852/2687 6055 F: +852/2687 6052

Draft. Nr.: BDA 178 V4 | Update: 2021-05-11 Data subject to change without prior notice. © 2021 NEUTRIK®, NEUTRIK®, powerCON® are registered trademark of Neutrik AG. ALL RIGHTS RESERVED.