



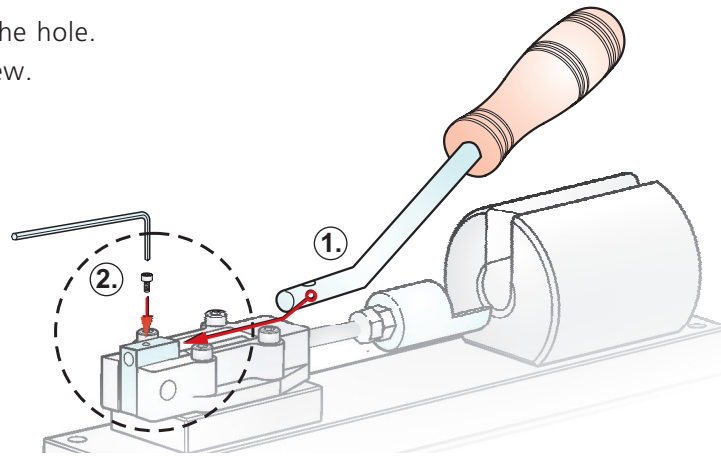
# ASSEMBLY INSTRUCTION

## BTXX | "Speed boot" assembly tool for XX Series XLR Connectors.

### Assembly Instruction

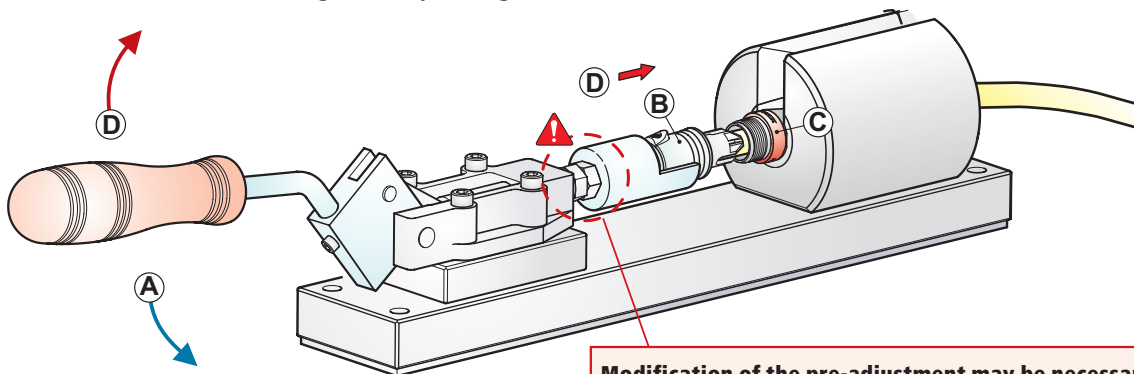
#### 1. Tool installation:

1. Insert the lever into the hole.
2. Fixing it with the screw.



#### 2. Connector assembly steps:

- A Open lever.
- B Insert already soldered connector.
- C Place boot into the fixture.
- D Press connector and boot together by lifting the lever.



Modification of the pre-adjustment may be necessary because of cable diameter or usage of the XXCR clear coding ring with the XX Series.

#### Note:

"Speed boot" of XLR connectors may damage the XLR boot thread.  
It's usually not possible to re-open the boot without a tool after assembly.

NEUTRIK AG	LI	T: +423 / 237 24 24	F: +423 / 232 53 93	NEUTRIK Vertriebs GmbH	DE/NL/AT	T: +49 8131 / 280 890	F: +49 8131 / 280 830
NEUTRIK Zürich AG	CH	T: +41 44 / 736 5010	F: +41 44 / 736 5011	NEUTRIK France	FR	T: +33 1 / 4131 6750	F: +33 1 / 4131 0511
NEUTRIK USA Inc.	USA	T: +1 732 / 901 9488	F: +1 732 / 901 9608	NEUTRIK Tokyo Ltd.	JP	T: +81 3 / 3663 4733	F: +81 3 / 3663 4796
NEUTRIK (UK) Ltd.	UK	T: +44 1983 / 811 441	F: +44 1983 / 811 439	NEUTRIK Hong Kong Ltd.	HK	T: +852 / 2687 6055	F: +852 / 2687 6052