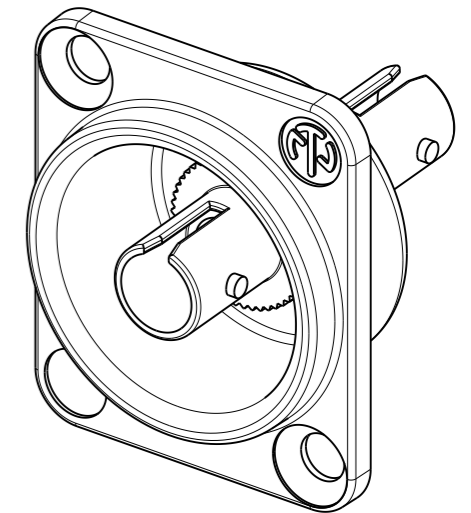
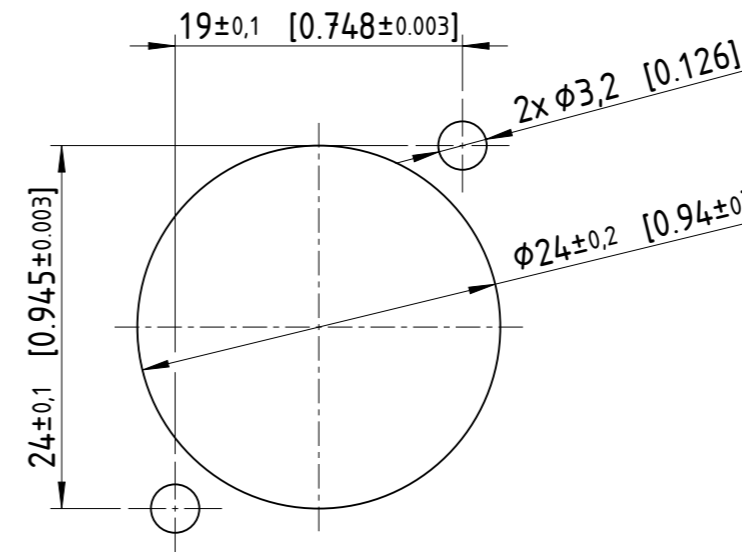
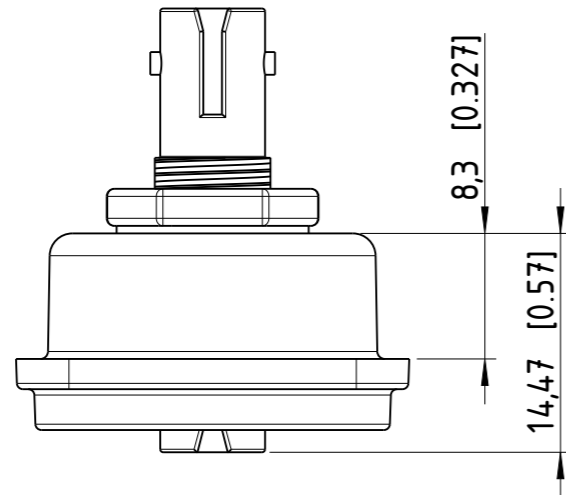


Frontplattenausschnitt (Rückseite)
Panel cut out (rear side)



Sheet Number 1/1	Projection 	Scale 2:1	Format A3	General Tolerancing ISO 2768 mK	
Description			Created on/by	09.12.2025	Schuster R.
N01-FD-ST			Approved on/by	04.02.2026	Beck L.
			Article ID	Model ID	Drawing ID
Status			Revision	ECN Number	Neutrik Group
Released			-	-	