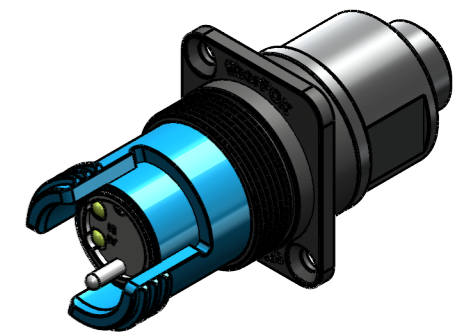
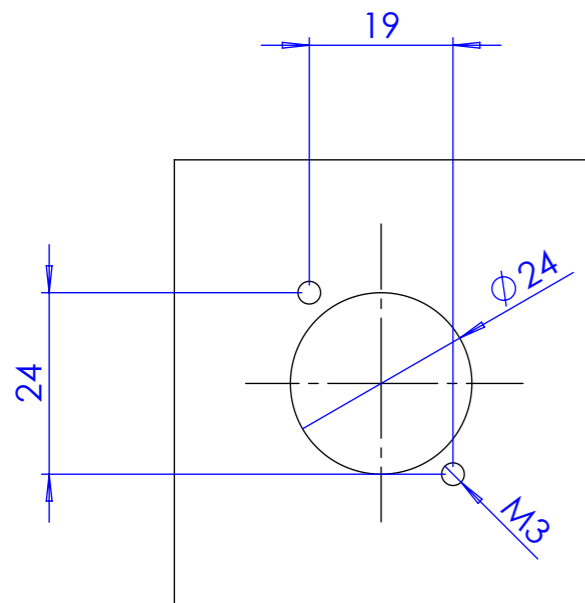


max. sheet thickness 1,5mm  
with IP68 turned sealing  
max. sheet thickness 3,5mm  
without IP68 sealing

drilling pattern from the front



To mount from behind, it is possible  
to unscrew the case holder.  
- Important, turn the IP68 Sealing!

|   |                 |                 |              |                          |                |
|---|-----------------|-----------------|--------------|--------------------------|----------------|
| Sheet Number<br>1/1   | Projection<br>  | Scale<br>1:1    | Format<br>A3 | Tolerancing<br>ISO 2768- |                |
| g   | cm <sup>2</sup> | cm <sup>3</sup> | Created      | HeBo                     | 24.11.2023     |
| Material  |                 |                 | Modified     |                          |                |
| Material addition   |                 |                 | Approved     | HeBo                     | 24.11.2023     |
| Description<br>NO2SDW-FX-B0<br>FIBERFOX EBC15 SM 2CH chassis breakout |                 |                 | ECN Number   |                          |                |
|   |                 |                 | Status       |                          |                |
| NEUTRIK   |                 | 3D Model ID     | Document ID  |                          | Revision<br>01 |