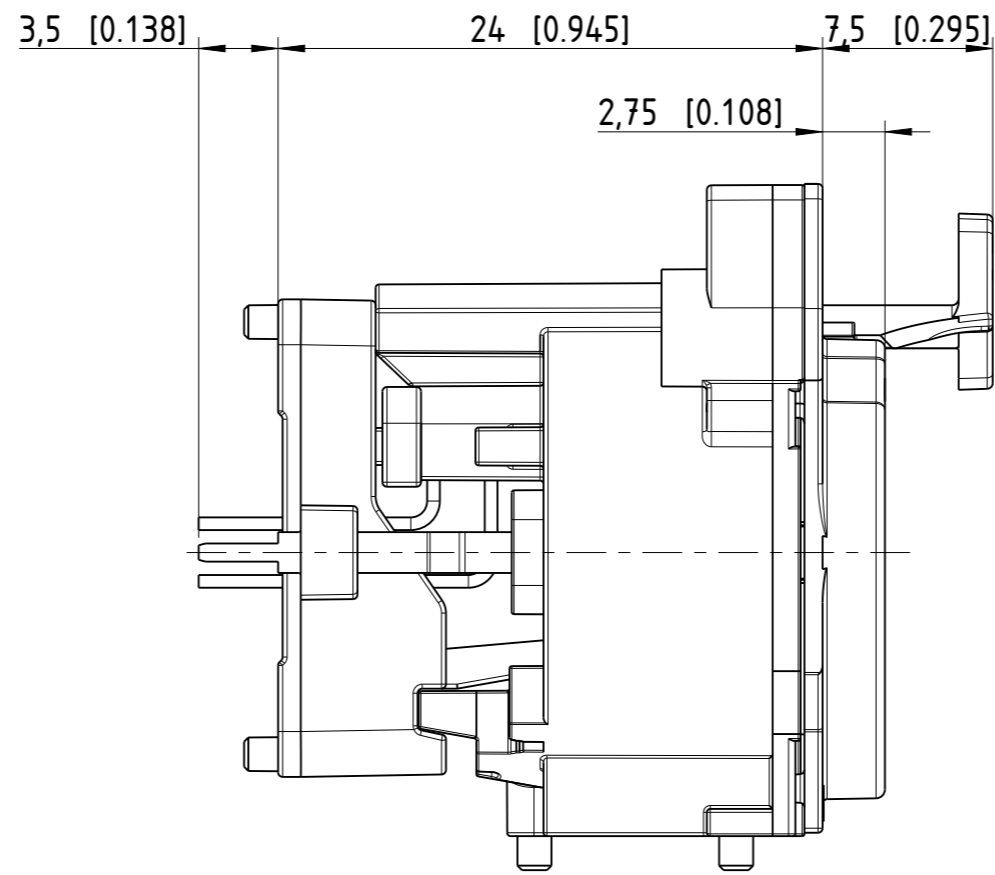
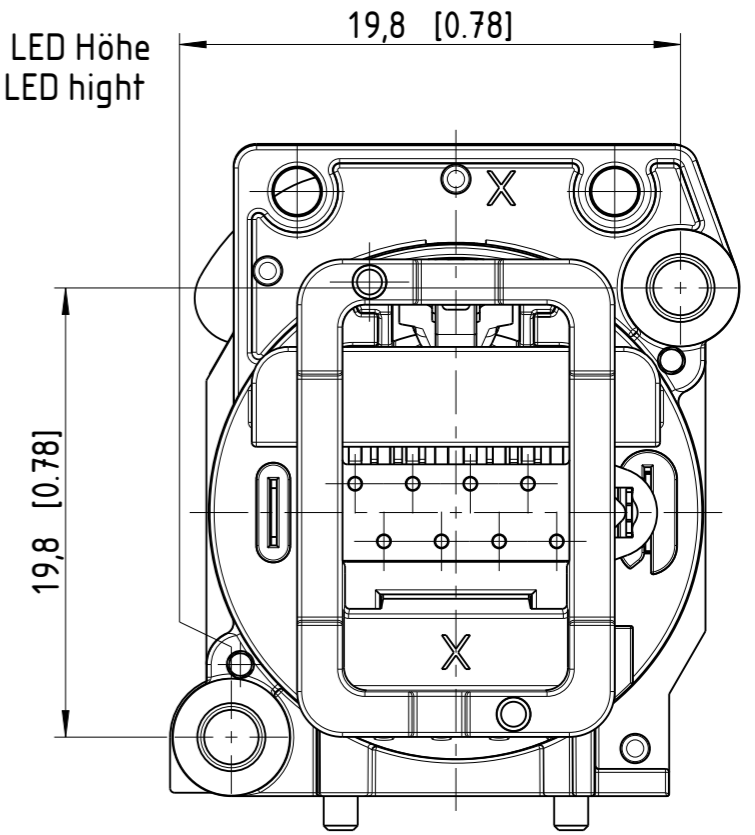


Print Bohrplan Bestückungsseite
PCB-Layout (component side)

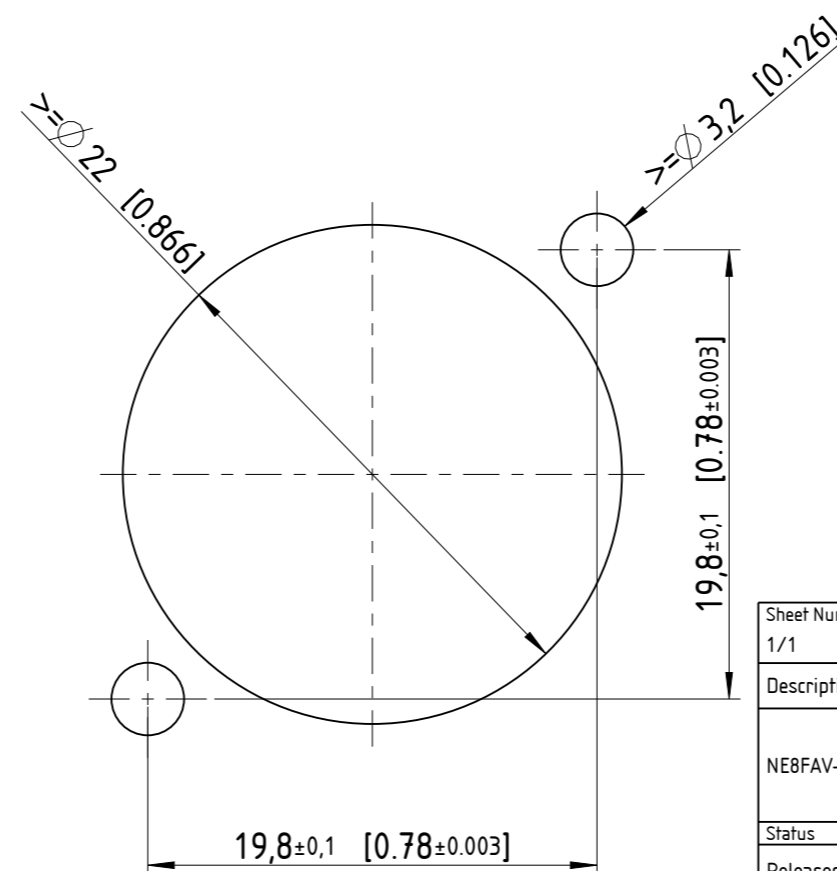
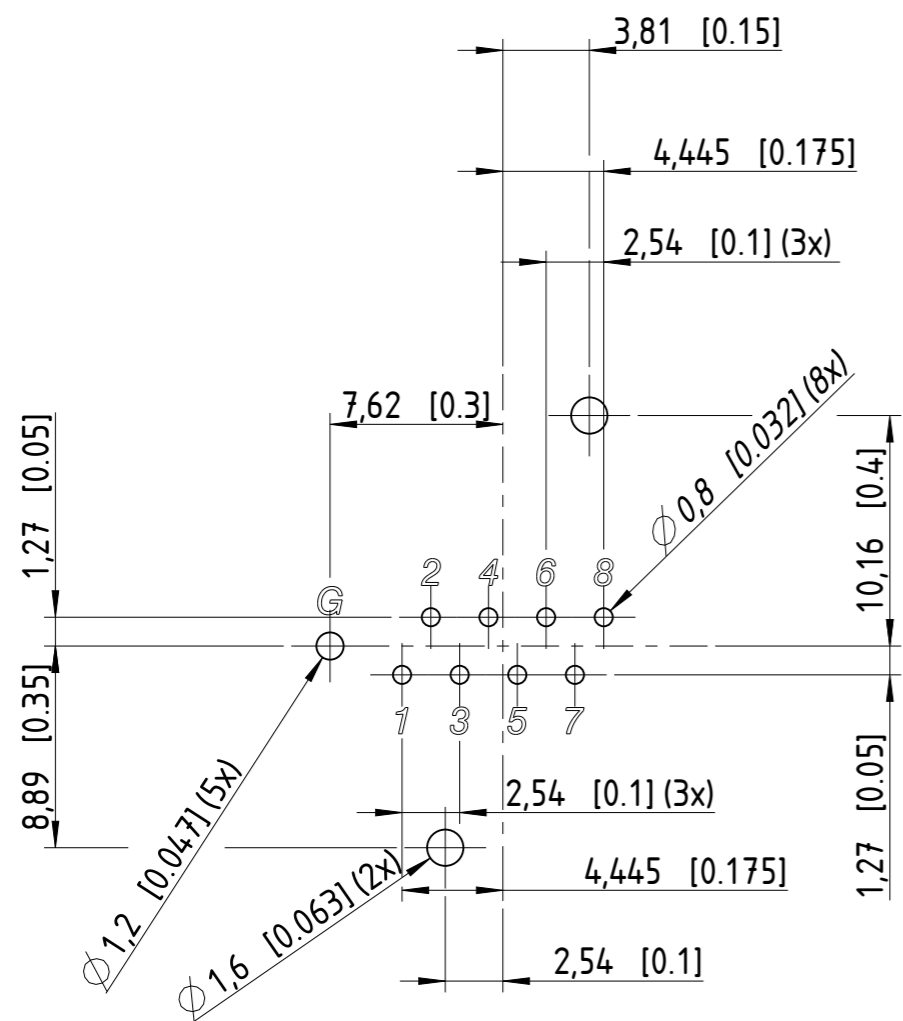
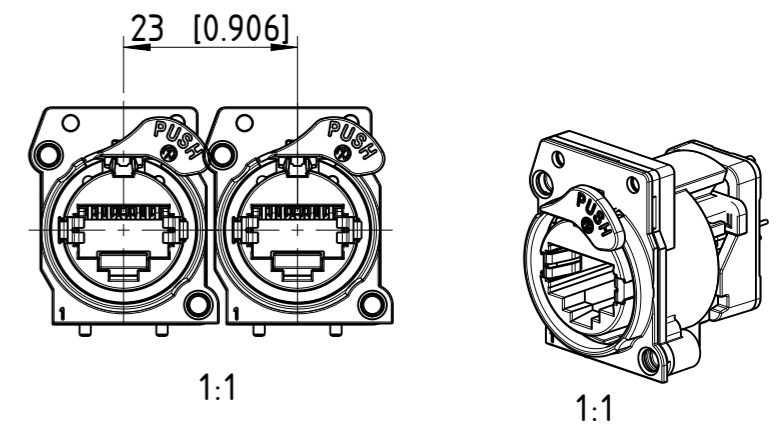


Frontplattenausschnitt (Rückseite)
Panel cut out (rear side)

* max. LED Höhe
max. LED height



min. Einbauabstand
min. assembling distance



Sheet Number 1/1	Projection 	Scale 3:1	Format A3	General Tolerancing ISO 2768 mK	
Description	Created on/by	30.01.2023	Schmiel T.		
NE8FAV-C5-AE	Approved on/by	06.02.2023	Feurle E.		
	Article ID	Model ID	Drawing ID		
	NE8FAV-C5-AE	30010256	20004197		
Status	Revision	ECN Number	Neutrik Group		
Released	-	-			