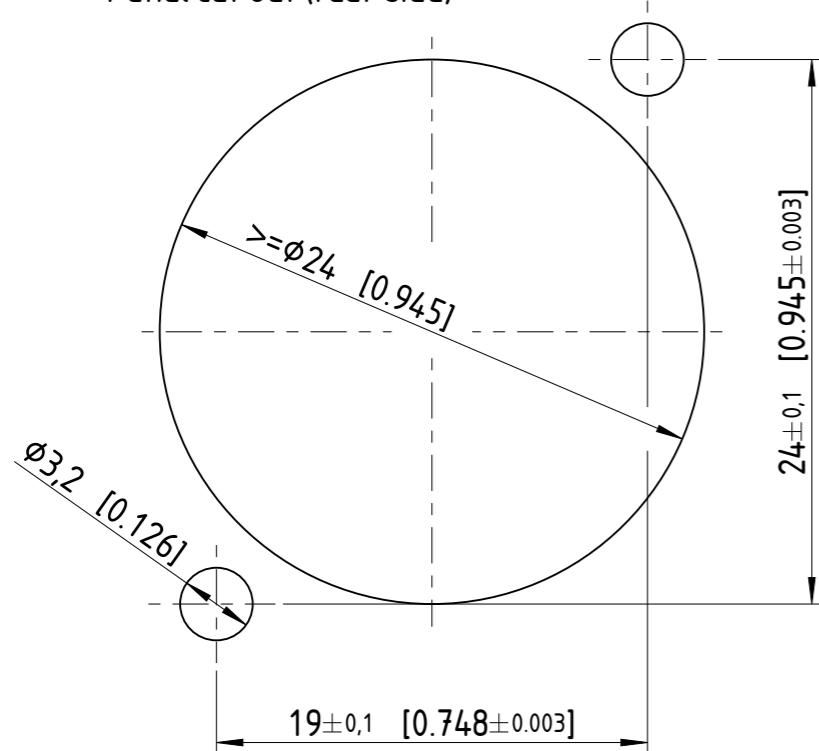


Frontplattenausschnitt (Rueckseite)
Panel cut out (rear side)



| | | | | | |
|---------------------|----------------|----------------|--------------------------------|------------------------------------|------------------------|
| Sheet Number 1/1 | Projection | Scale 1.5:1 | Format A3 | General Tolerancing ISO 2768 mK | |
| Description | | | Created on/by | 11.10.2017 | Ender N. |
| NE8FDP*-TOP | | | Approved on/by | 06.03.2023 | Mangeng M. |
| | | | Article ID NE8FDP-B-T OP | Model ID 30009929 | Drawing ID 20004014 |
| Status | | | Revision | ECN Number | |
| Released | | | - | - | |

Neutrik Group