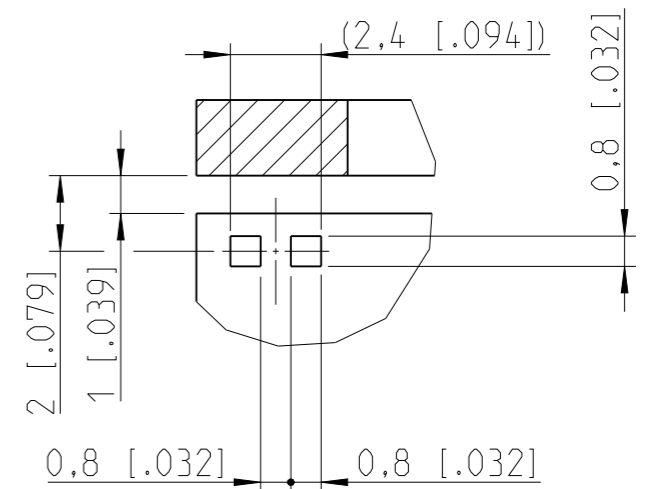
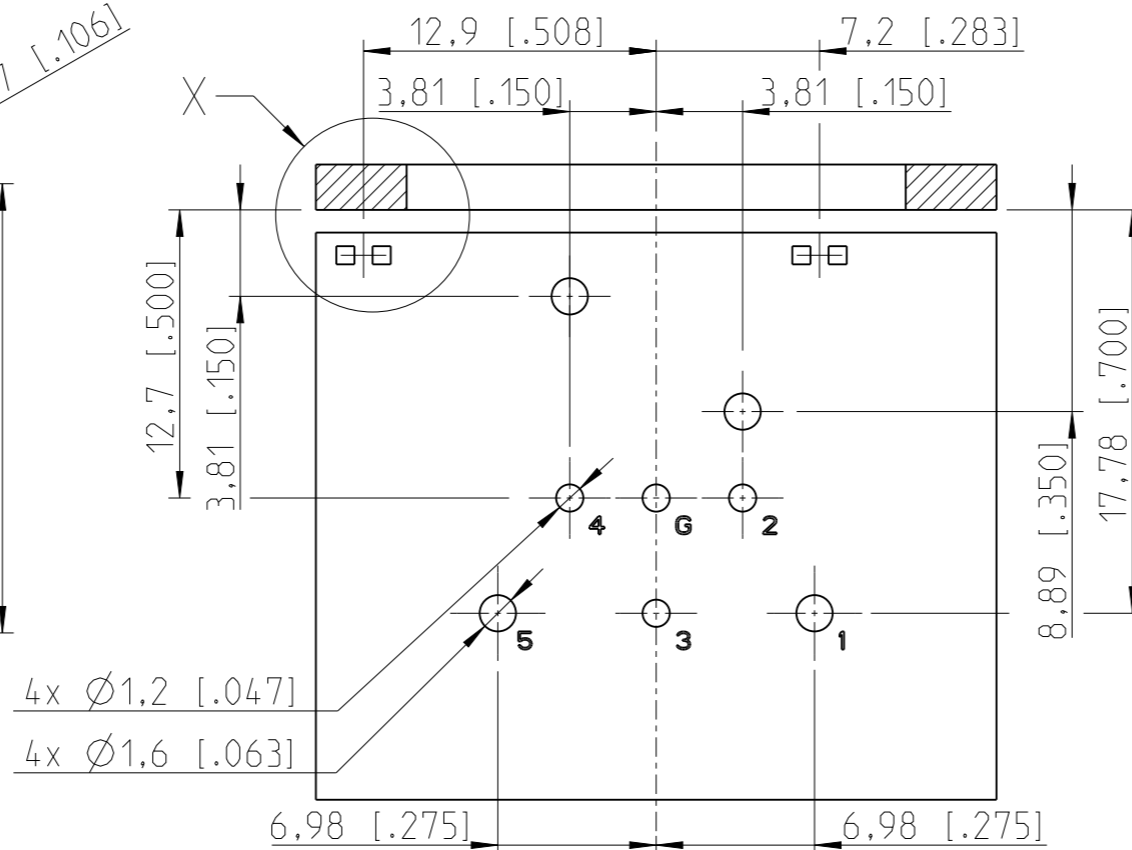
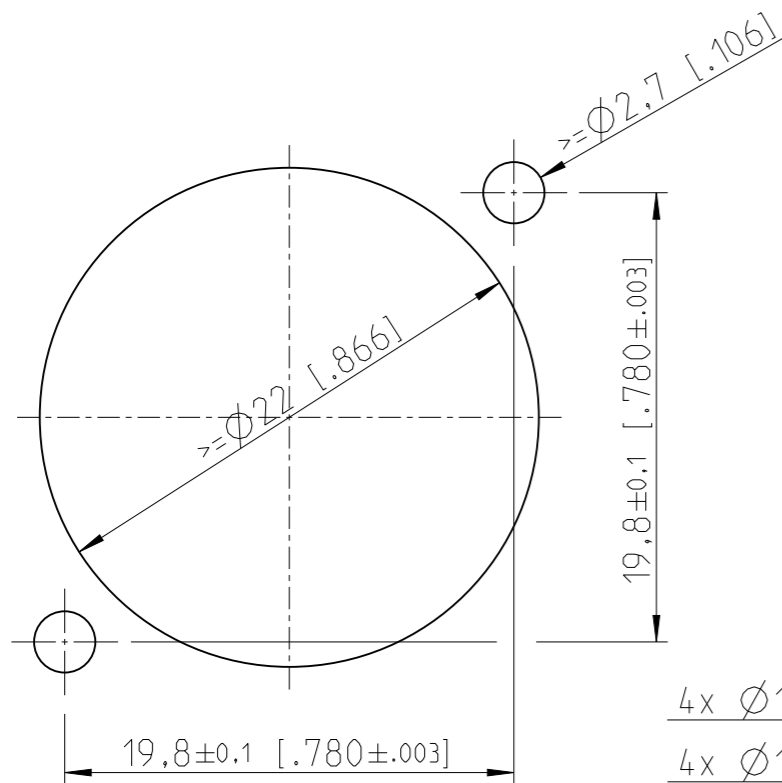


Frontplattenausschnitt (Rückseite)
Panel cut out (rear side)

Print-Bohrplan (Bestückungsseite)
PCB-Layout (component side)

Detail X LED size: 0603 (max height: 0.8mm)
5:1 Recommended solder pad layout:



Sheet Number 1/1	Projection 1st Angle	Scale 3:1	Format A3	Tolerancing ISO 2768-mK	
ECN Number -	Created 25.10.2021		kez		
Description ST-NC5MAH-LR			Modified n.a.	n.a.	
NEUTRIK			Status		
3D Model ID 30009279		Document ID 20003647	Revision -		