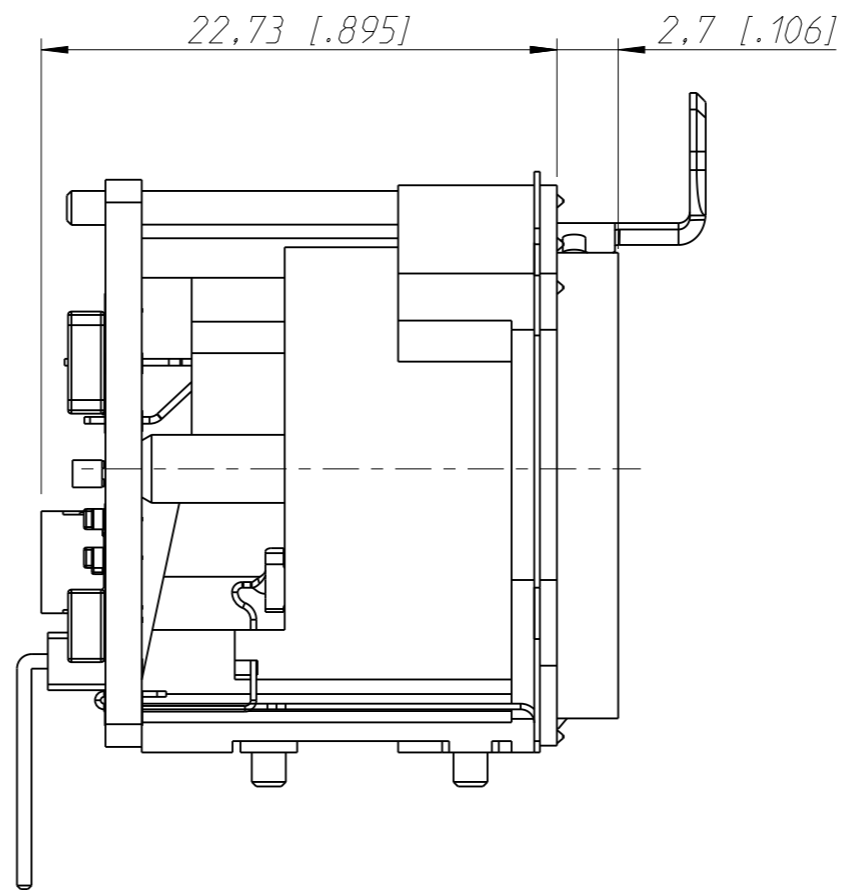
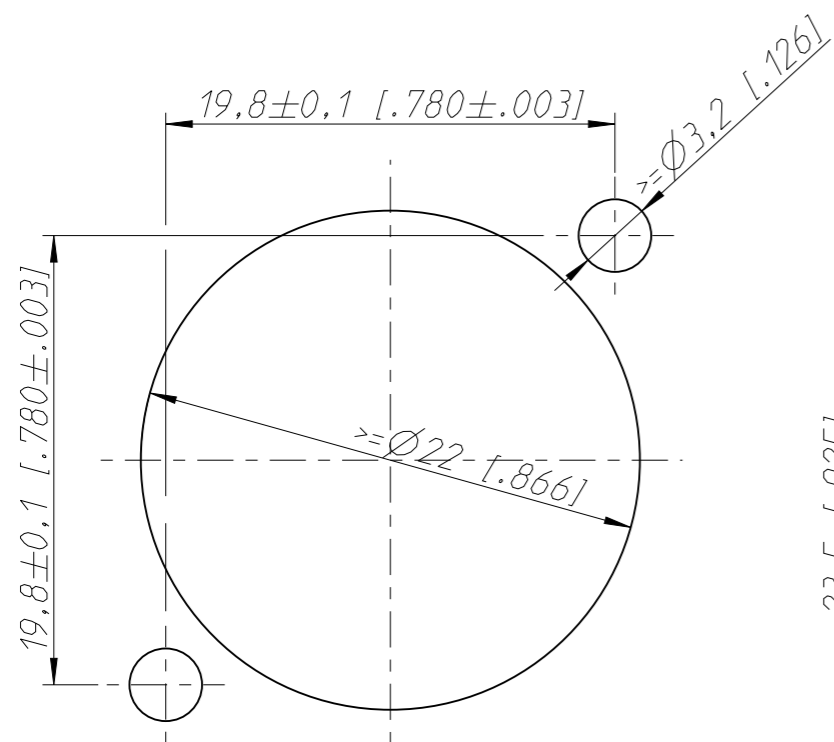
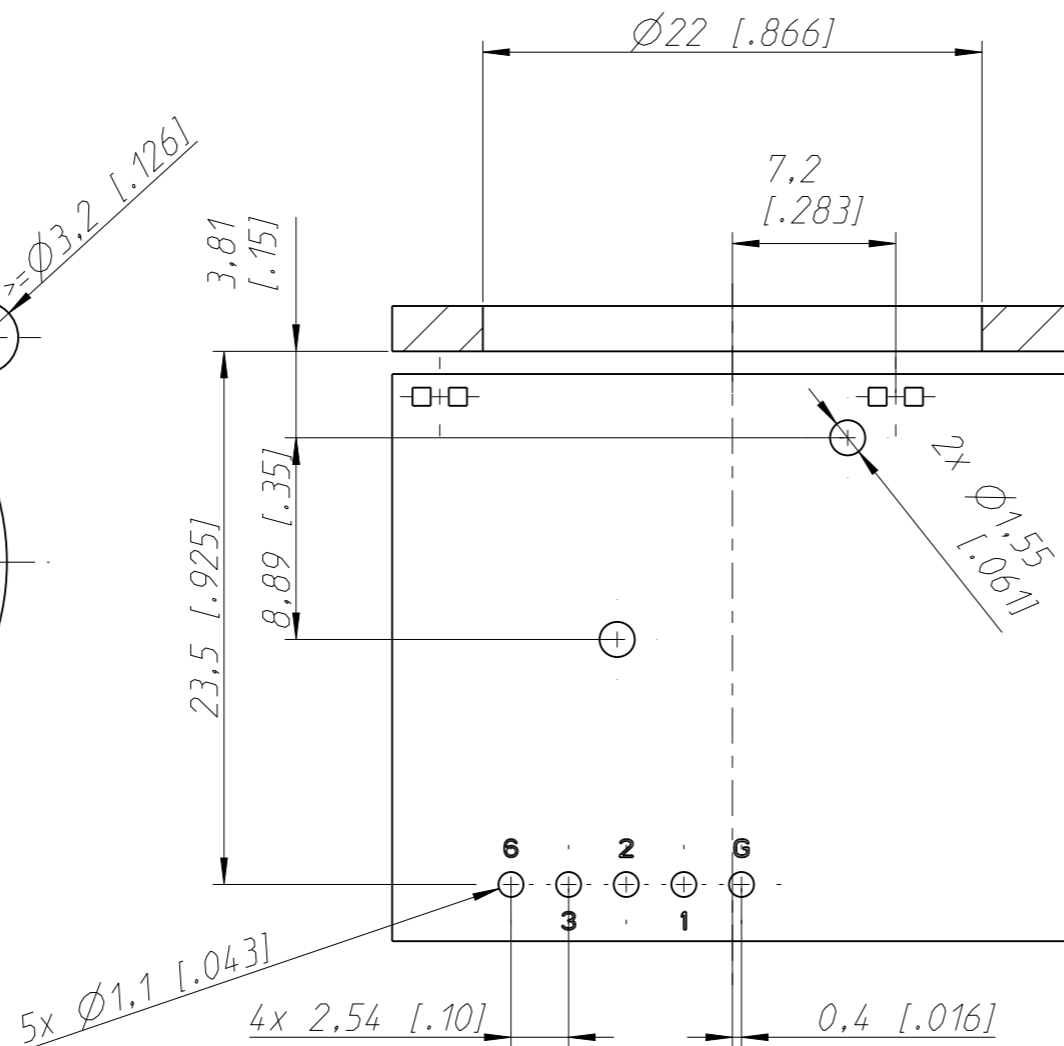
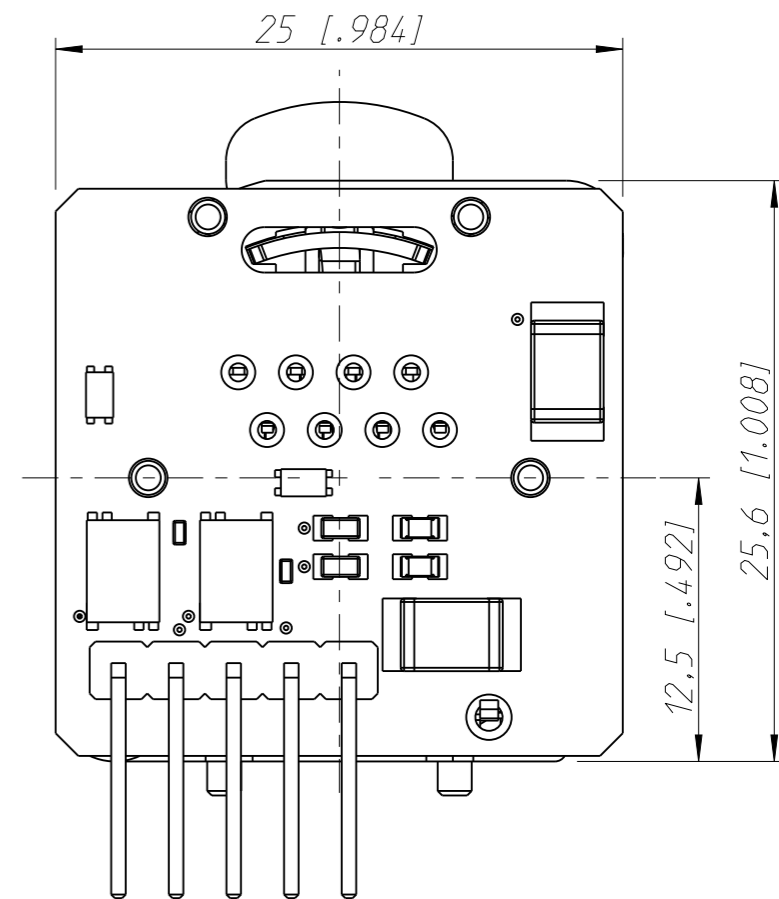


Panel cut out (rear side)



PCB- Layout (component side)



Sheet Number 1/1	Projection 	Scale 3:1	Format A3	Tolerancing ISO 2768-mK	
ECN Number -			Created 21.02.2022	Frenzel S.	
Description NE8FBH-M-MB			Modified n.ä.	n.ä.	
			Approved 03.03.2022	Mangeng M.	
			Status Released		
NEUTRIK		3D Model ID 30009533	Document ID 20003788	Revision -	