



ASSEMBLY INSTRUCTION

speakON[®] Chassis Connector

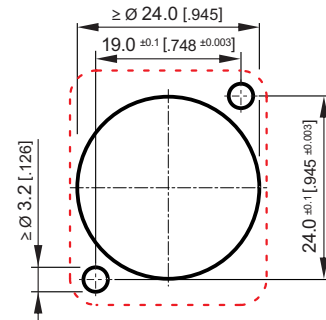
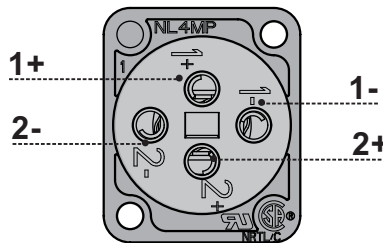
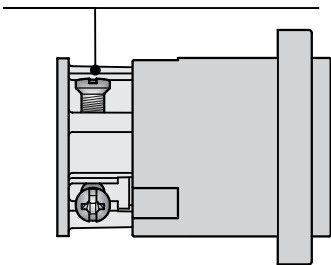
NL4MP*-ST

! **ATTENTION:** speakON is NOT to be used as an mains or power supply connector!

A ASSEMBLY INFORMATION

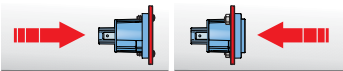
1	CONNECTION	2	WIRING	3	PANEL CUTOUT (Rear Side)
----------	-------------------	----------	---------------	----------	---------------------------------

- Screw terminals with clamping device:
 - Max. Wiresize 4 mm² / AWG 12
 - Screw driver POZIDRIV #1
 - Max. torque 0.5 Nm (0.37 lb-ft).



! MOUNTING

! **ATTENTION**
Maximum allowable torque M_A



(screws not included)	Rear assembly	Front assembly
NL4MP-ST Countersunk thru holes for countersunk machine screws (e.g.: M3, 4-40)	90 Ncm	60 Ncm

B More Information on the www.neutrik.com

<https://www.neutrik.com/en/products/audio/speakon>



Neutrik AG	LI	T: +423 / 237 24 24	F: +423/232 53 93	Neutrik France	FR	T: +33 1/4131 6750	F: +33 1/4131 0511
Neutrik USA Inc.	USA	T: +1 704 / 972 3050	F: +1 704/438 9202	Neutrik Tokyo Ltd.	JP	T: +81 3/3663 4733	F: +81 3/3663 4796
Neutrik (UK) Ltd.	UK	T: +44 1983 / 811 441	F: +44 1983/811 439	Neutrik Hong Kong Ltd.	HK	T: +852/2687 6055	F: +852/2687 6052
Neutrik Vertriebs GmbH	DE/NL/AT/DK	T: +49 8131 / 280 890	F: +49 8131/280 830	Neutrik India Pvt. Ltd.	IND	T: +91/982 05 43 424	F: +91/22 26163 540

Draft. Nr.: BDA 620 V1 | Update: 2020-10-22 | Data subject to change without prior notice. ©2020 NEUTRIK[®]. ALL RIGHTS RESERVED. NEUTRIK[®] are registered trademark.

www.neutrik.com

