

AUDIO NETWORK SOLUTIONS



NA2-10-DPRO
NA2-10-DLINE
NPS-30W





AUDIO NETWORK SOLUTIONS

CONNECT YOUR LEGACY AUDIO EQUIPMENT TO THE DANTE® WORLD

- Connect analog audio equipment to a Dante® network
- Heavy duty adapters for rugged stage conditions
- Lockable audio and network connections
- Connect analog or digital signals to a Dante® network
- Feed non Dante® ready amplifiers, speakers or mixing desks with signals from the Dante® network
- Different mounting options (rack, floorbox, table mounting, truss)
- Requires a PoE switch or a PoE injector
- AES67 compliant

NA2-IO-DPRO

The NA2-IO-DPRO is a 2IN, 2OUT breakout box for mic, line, AES/EBU signals. It features high-quality microphone preamps and 2 Dante® ports for either redundant setup or daisy chaining. There are several remote control options available.



NA2-IO-DLINE

The NA2-IO-DLINE is an end-of-network device. It is a breakout box which allows 2 Line-IN, 2 Line-OUT signals to be integrated into a Dante® network.



NPS-30W

The NPS-30W is a Gigabit Power over Ethernet Supply with 30 W PoE budget. It is a passive power supply that delivers power at all times with no requirement for power negotiation.

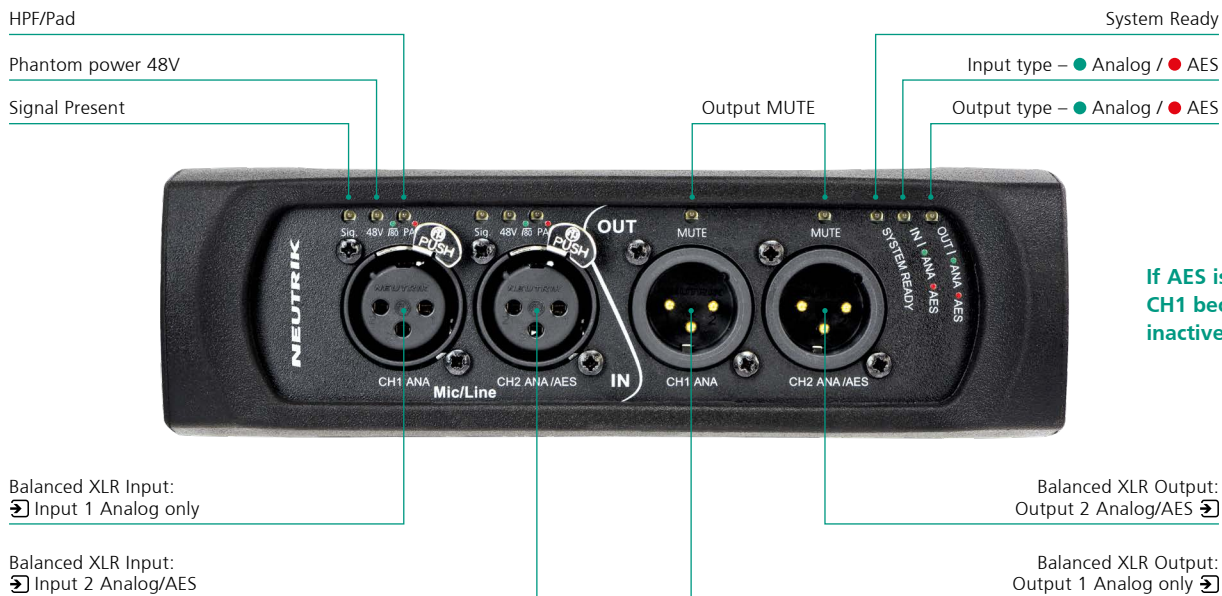


All devices are equipped with lockable connectors and, together with the removable rubber protection, offer a reliable solution for tough stage conditions. With optional mounting brackets or a rack panel, the devices can be mounted below tables, in floor boxes, racks or on a truss.

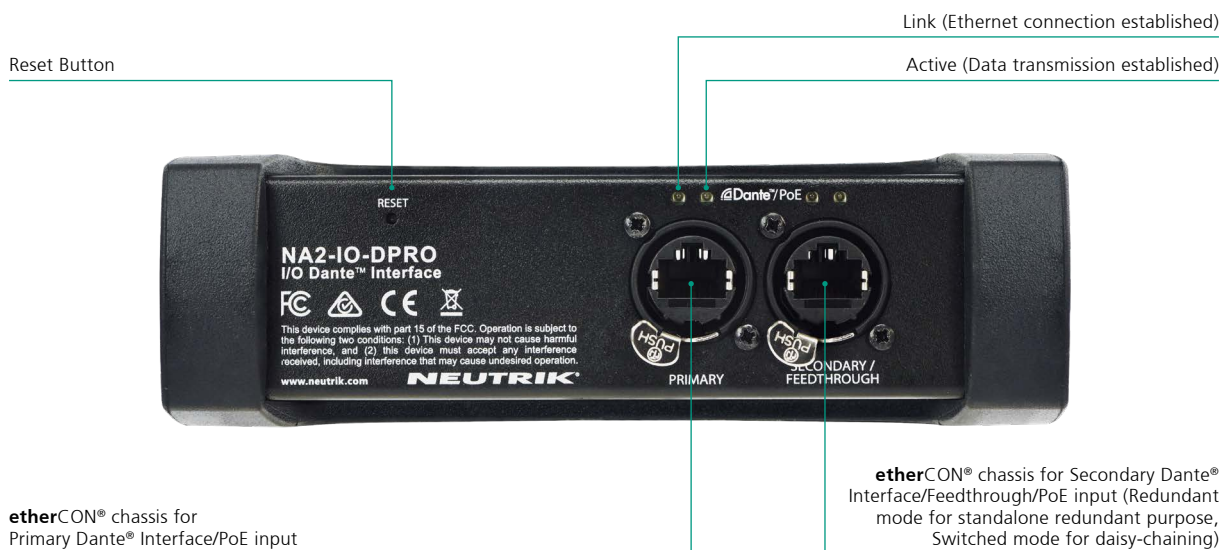
NA2-IO-DPRO

MIC, LINE, AES/EBU TO DANTE® INTERFACE

OVERVIEW FRONT



OVERVIEW REAR

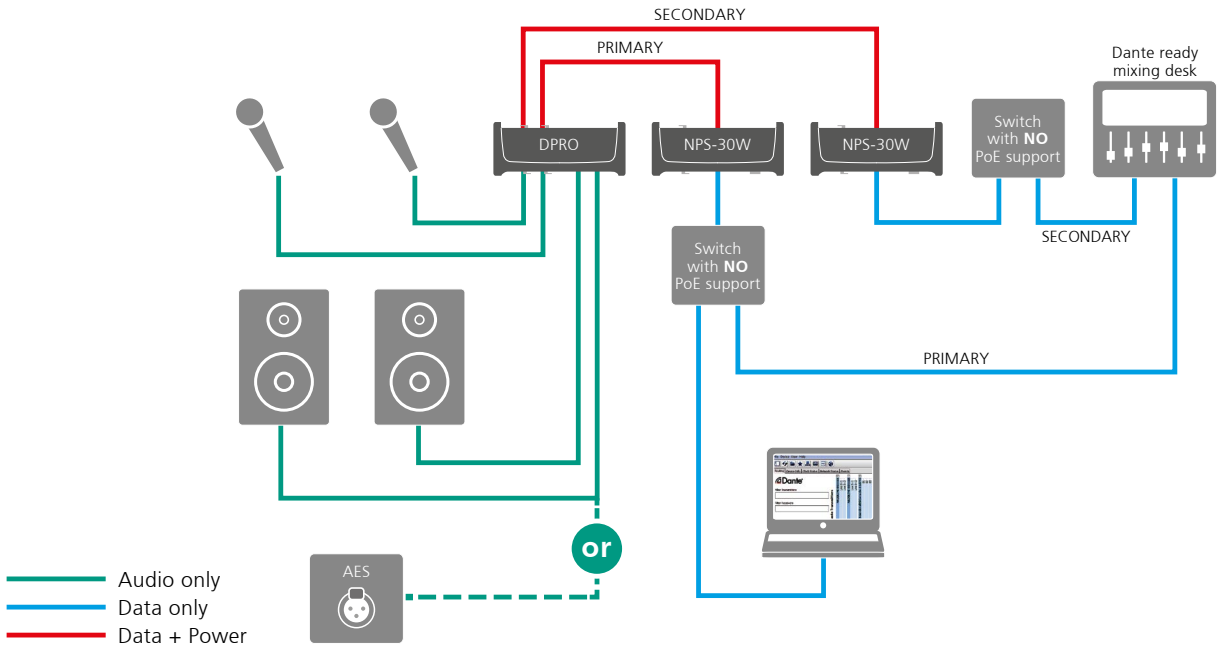


IMPORTANT

- Requires a Power over Ethernet switch or a PoE injector (802.3 af/at/bt)
- Please refer to the manual for redundant power setups

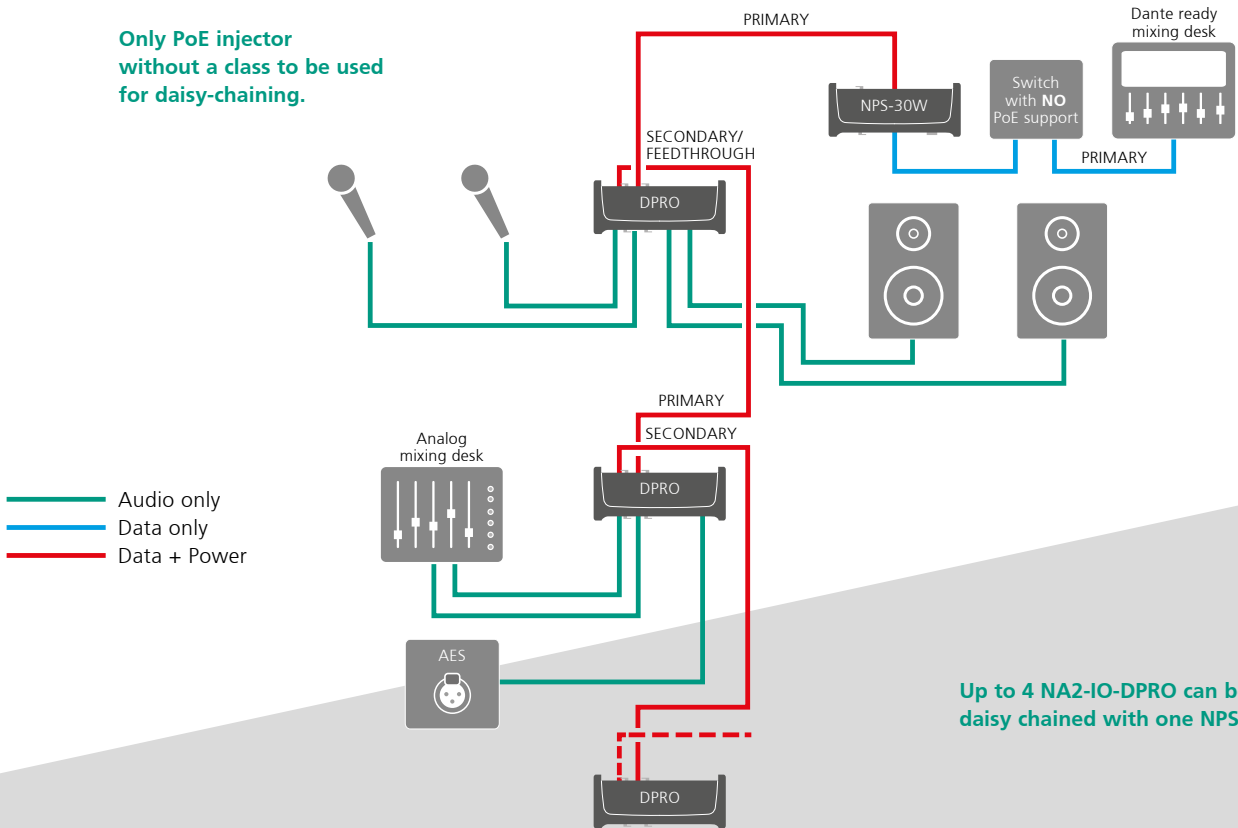


REDUNDANT MODE



SWITCHED MODE

Only PoE injector without a class to be used for daisy-chaining.



Up to 4 NA2-IO-DPRO can be daisy chained with one NPS-30W.

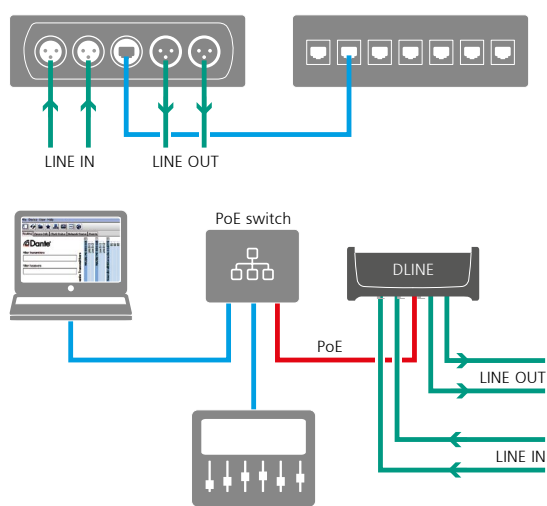
NA2-IO-DLINE LINE I/O TO DANTE® INTERFACE



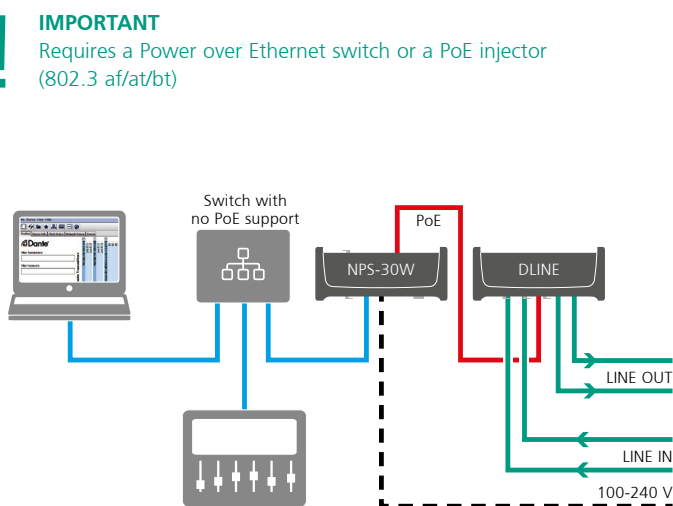
OVERVIEW FRONT



POWER SETUP



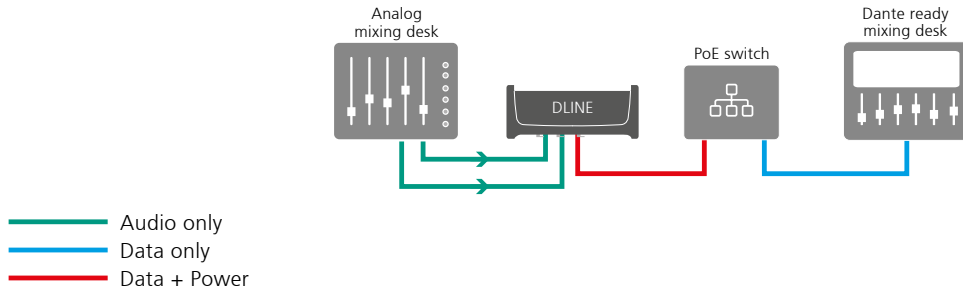
or



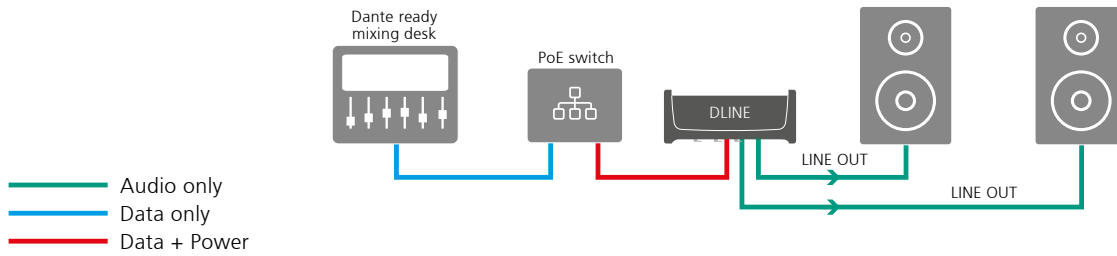
- Audio only
- Data only
- Data + Power
- - - - Power only



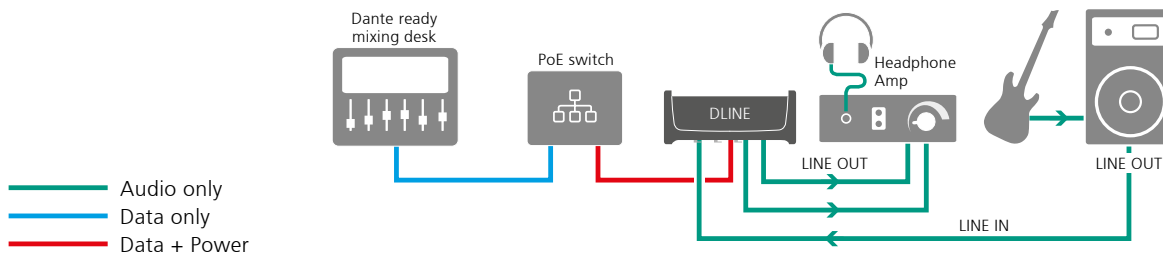
INPUT APPLICATION



OUTPUT APPLICATION



INPUT & OUTPUT APPLICATION (MIXED MODE)



NPS-30W POWER OVER ETHERNET SUPPLY

OVERVIEW FRONT



OVERVIEW REAR

etherCON® chassi for connection to the Dante® network: PoE + Data IN

powerCON® TRUE1 TOP chassi: Power In (100-240 V)



APPLICATIONS





NPS-30W

NPS-30W
Gigabit PoE Supply

NEUTRIK

PWR

PoE

OUT 1

Line

OUT 2

SYS

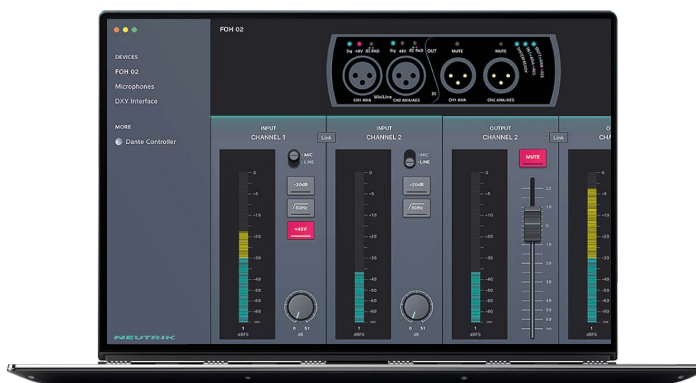
SYNC

REMOTE CONTROL

There are several ways to remotely control the NA2-IO-DPRO. Depending on the application, users can choose from Neutrik's DPRO controller software, or the control plugin for the Q-SYS platform.

DPRO CONTROLLER SOFTWARE

The DPRO controller gives the user not only remote control options such as level, mute, gain, phantom power, input signal and lo-cut, but also the possibility to change the device's network settings and to update the firmware.



DPRO Controller App is available for Windows and macOS, free of charge.



APP REQUIREMENTS

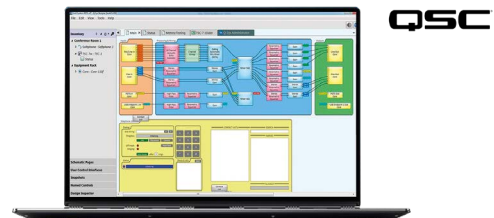
- RAM min 2 GB
- Display resolution > 1280 x 1024 pixel
- Windows 7 or later
- macOS 10.12 or higher

CONTROL PLUGIN FOR Q-SYS PLATFORM

The NA2-IO-DPRO offers the option to operate in AES67 mode. The addition of AES67 networking enables the integration of the DPRO within the Q-SYS platform.

There is a QSC approved control plugin available by Neutrik to remote control the Dante network device within the Q-SYS environment. Designers can now fully integrate the DPRO into the Q-SYS designer and perform various controls such as gain, phantom power, lo-cut, mute and mic/line switch.

This is a convenient solution to system designers for the widely adopted QSC environment!



NA2-IO-DPRO

TECHNICAL DATA



GENERAL SPECIFICATIONS

Channel	2 INPUT (Line, Mic, AES/EBU)	Bit depth	16, 24 and 32 bit
	2 OUTPUT (Line Level, AES/EBU)	Latency	based on user selection; min. 0,25 ms (Dante®)
Supported sampling rates	44.1 / 48 / 88.2 / 96 kHz	Ethernet connection	1.000 BASE-T (supporting PoE)

ELECTRICAL DATA

Power consumption	< 6 Watt	Power supply	PoE (Power over Ethernet) switch or PoE midspan power injector (according to IEEE 802.3 af/at/bt)
-------------------	----------	--------------	---

Analog Input

Equivalent Input Noise	-128 dBu (67 dB Gain); A-Weighted	THD+N:	< 0.005% (20 Hz to 20 kHz, +4 dBu)
Gain Hub (3dB Steps)	0 - 67 dB	Dynamic Range:	>112 dB, BW 22.4 kHz, A-Weighted (Input Gain = min.)
Max. Input Level	+ 24 dBu (PAD enabled) + 8 dBu (PAD disabled)	SNR:	> 112 dB, BW 22.4 kHz, A-Weighted
Input Impedance	> 7.5 k Ω balanced	Crosstalk:	- 100 dB, adjacent INPUT / OUTPUT channels (Input Gain = min.)
Frequency Response	20 Hz to 20 kHz (\pm 0.5 dB)		

Analog Output

Max. Output Level	+ 24 dBu	THD+N:	< 0.005% (20 Hz to 20 kHz, +4 dBu)
Output Impedance	< 150 Ω balanced	Dynamic Range:	> 112 dB, BW 22.4 kHz, A-Weighted
Residual output noise	- 88 dBu, A-Weighted	SNR:	> 112 dB, BW 22.4 kHz, A-Weighted
Frequency Response	20 Hz to 20 kHz (\pm 0.5 dB)	Crosstalk:	- 100 dB, adjacent INPUT / OUTPUT channels, Input Gain = Min.

MECHANICAL

Weight	0,53 kg / 1.17 lbs		
Dimensions	l: 164 mm / 6.4 inches	Dimensions	l: 151 mm / 5.9 inches
with rubber protection	w: 82 mm / 3.2 inches	without rubber protection	w: 66 mm / 2.6 inches
	h: 51 mm / 2.0 inches		h: 41 mm / 1.6 inches

NA2-IO-DLINE

TECHNICAL DATA



GENERAL SPECIFICATIONS

Channel	2 INPUT (Line Level)	Bit depth	16, 24 and 32 bit
	2 OUTPUT (Line Level)	Latency	based on user selection 1 ms (default)
Supported sampling rates	44.1 / 48 / 88.2 / 96 kHz	Ethernet connection	100 BASE-TX (supporting PoE)

ELECTRICAL DATA

Power consumption	< 2 Watt	Power supply	PoE (Power over Ethernet) switch or PoE midspan power injector (according to IEEE 802.3 af/at/bt)
-------------------	----------	--------------	---

Analog Audio Input

Input impedance	6.6 kOhm	Signal to Noise Ratio	> 100 dB
Input Level (Balanced)	22 dBu max.	THD + Noise	< 0.01% @ + 4 dBu, A-Weighting
Frequency Response	20 Hz to 20 kHz (+/- 0.5 dB)	Crosstalk	< -80 dB @ 20 kHz
Dynamic Range	> 100 dB		

Analog Audio Output

Output impedance	< 800 Ohm	Signal to Noise Ratio	> 100 dB
Output Level (Balanced)	16 dBu max.	THD + Noise	< 0.01% @ + 4 dBu, A-Weighting
Frequency Response	20 Hz to 20 kHz (+/- 0.5 dB)	Crosstalk	< -80 dB @ 20 kHz
Dynamic Range	> 100 dB		

MECHANICAL

Weight	0,44 kg / 1.0 lbs		
Dimensions	l: 164 mm / 6.4 inches	Dimensions	l: 151 mm / 5.9 inches
with rubber protection	w: 82 mm / 3.2 inches	without rubber protection	w: 66 mm / 2.6 inches
	h: 51 mm / 2.0 inches		h: 41 mm / 1.6 inches

NPS-30W

TECHNICAL DATA



ELECTRICAL DATA

Input voltage range	100 – 240 VAC	Output voltage	48 VDC
Input frequency range	50 – 60 Hz	Output max. current	0.63 A
Input max. current	0.75 A	Rated Power	30 W

MECHANICAL

Weight	0,53 kg / 1.17 lbs		
Dimensions	l: 164 mm / 6.4 inches	Dimensions	l: 151 mm / 5.9 inches
with rubber protection	w: 82 mm / 3.2 inches	without rubber protection	w: 66 mm / 2.6 inches
	h: 51 mm / 2.0 inches		h: 41 mm / 1.6 inches

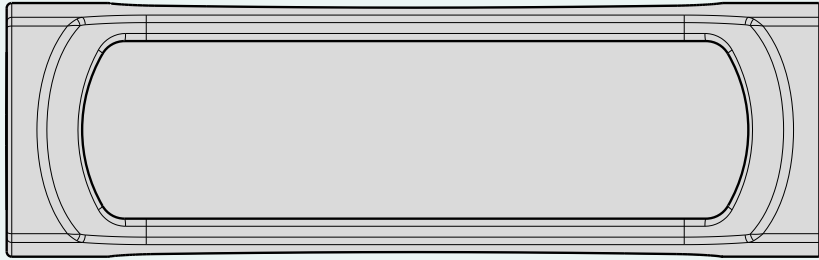
OPERATING ENVIRONMENT INDOOR

Operating temperature	-5°C to +50°C	Storage temperature	-40°C to +100°C
-----------------------	---------------	---------------------	-----------------

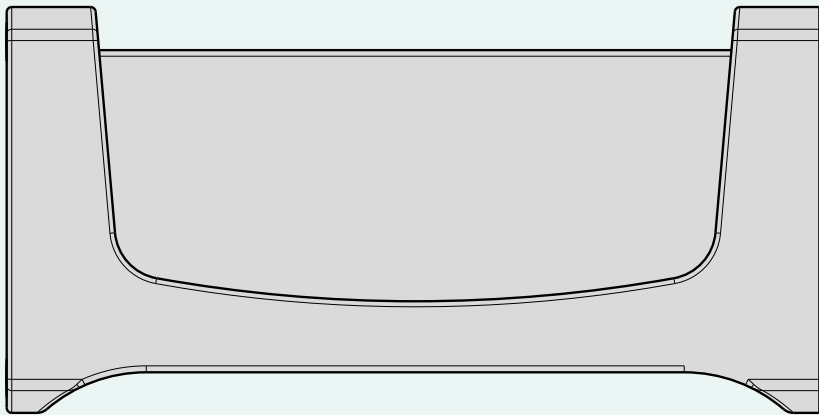
ORDERING INFORMATION

NPS-30W-B	NPS-30W + power cable (3m; NEMA5 / Plug Type B)
NPS-30W-F	NPS-30W + power cable (3m; Schuko / Plug Type F)
NPS-30W-G	NPS-30W + power cable (3m; BS1363 / Plug Type G)
NPS-30W-J	NPS-30W + power cable (3m; SEV1011 / Plug Type J)
NPS-30W-WOC	NPS-30W without power cable

MECHANICAL DIMENSIONS

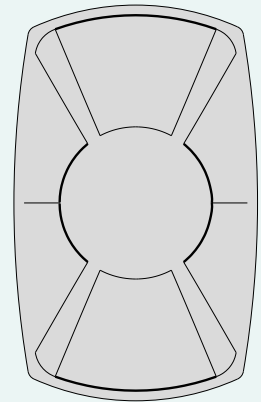
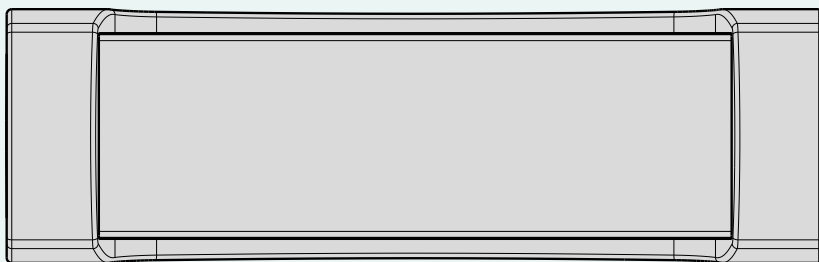


50 mm



80 mm

161 mm



MOUNTING ACCESSORIES

NA-MB-KIT

Mounting bracket kit for NA2-IO-DLINE / NA2-IO-DPRO / NPS-30W



NA-TM-KIT

Truss mount kit for NA2-IO-DLINE / NA2-IO-DPRO / NPS-30W



NRP1RU-2A

1 RU 19" RACK unit for NA2-IO-DLINE / NA2-IO-DPRO / NPS-30W





AUDIO NETWORK SOLUTIONS

LIECHTENSTEIN (HEADQUARTERS)

Neutrik AG, Im alten Riet 143,
9494 Schaan, Liechtenstein
T +423 237 24 24, F +423 232 53 93, neutrik@neutrik.com

CHINA

Ningbo Neutrik Trading Co., Ltd., Shiqi Street, Yinxian Road West
Fengjia Villiage, Hai Shu District, Ningbo, Zhejiang, 315153
T +86 574 88250833, sales@neutrik.com.cn

HONG KONG

Neutrik Hong Kong LTD., Suite 18,
7th Floor Shatin Galleria Fotan, Shatin
T +852 2687 6055, sales@neutrik.com.hk

JAPAN

Neutrik Limited, Yusen-Higashinonbashi-Ekimae Bldg., 3-7-19
Higashinonbashi, Chuo-ku, Tokyo 103
T +81 3 3663 47 33, mail@neutrik.co.jp

INDIA

Neutrik India Pvt. Ltd., Level 3, Neo Vikram, New Link Road,
Above Audi Show Room, Andheri West, Mumbai, 400053
T +91 982 05 43 424, anklesaria@neutrik.com

USA

Neutrik USA Inc., 4115 Taggart Creek Road,
Charlotte, North Carolina, 28208
T +1 704 972 3050, info@neutrikusa.com

GERMANY / NETHERLANDS / DENMARK / AUSTRIA

Neutrik Vertriebs GmbH, Felix-Wankel-Straße 1,
85221 Dachau, Germany
T +49 8131 28 08 90, neutrik@neutrik.de

FRANCE

Neutrik France SARL, Rue du Parchamp 13,
92100 Boulogne-Billancourt
T +33 1 41 31 67 50, info@neutrik.fr

GREAT BRITAIN

Neutrik (UK) Ltd., Westridge Business Park, Cothey Way Ryde,
Isle of Wight PO33 1 QT
T +44 1983 811 441, sales@neutrik.co.uk

ASSOCIATED COMPANIES

Contrik AG, Steinackerstrasse 35, 8902 Urdorf, Switzerland
T +41 44 736 50 10, contrik@contrik.ch

H. Adam GmbH, Felix-Wankel-Straße 1, 85221 Dachau, Germany
T +49 08131 28 08-0, anfrage@adam-gmbh.de

AUDIO NETWORK SOLUTIONS – Dante – NF26V4 – 2020/05 – Data subject to change without prior notice. © 2020 NEUTRIK®.
NEUTRIK® is a registered trademark of Neutrik AG. ALL RIGHTS RESERVED.



www.neutrik.com