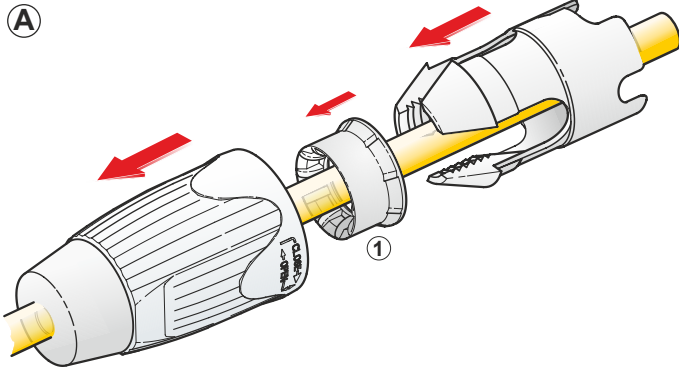




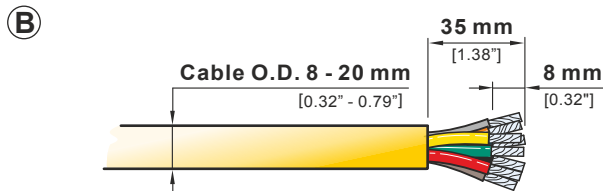
ASSEMBLY INSTRUCTION

speakON STX Series | Lockable Loudspeaker Connector 8 pole Cable Connector with metal housing - NLT8FX

Attention: speakON is not to be used as an AC mains or power supply connector!

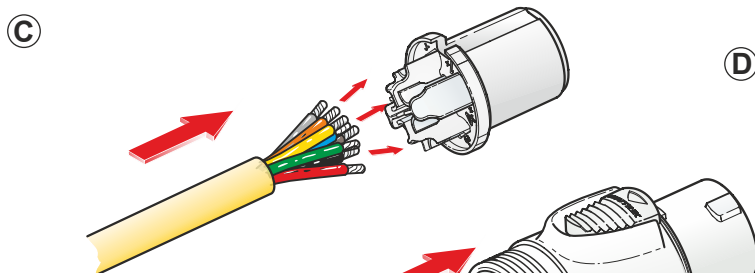
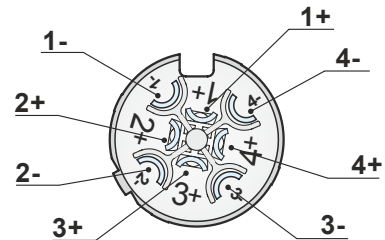


- A** Place bushing and chuck over the cable.
If cable O.D.:
Less 16 mm please use reducing piece (1).

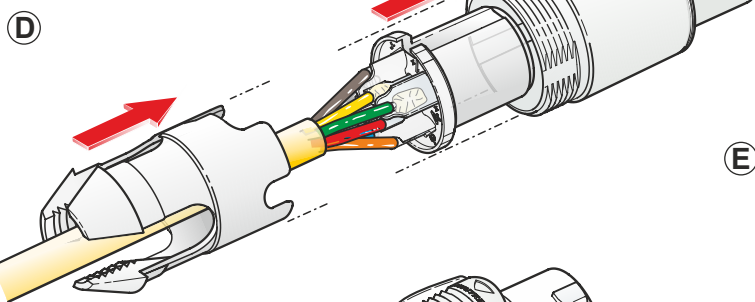


- B** Prepare cable as shown.
- C** Solder the wire ends to contacts of insert.

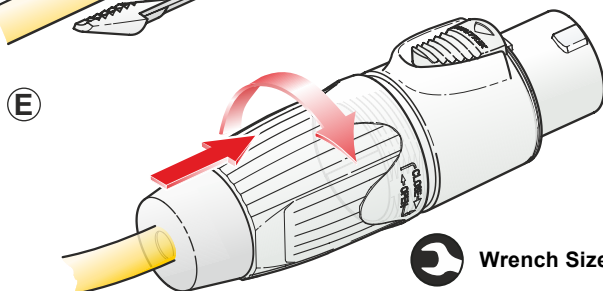
Wiring:



- D** Slide insert and chuck into housing.
Important: Align the insert by positioning the NEUTRIK to the top of the housing.



- E** Slide the bushing up the cable and tighten it (flat wrench SW 27 mm).



Wrench Size = 27



Find more details of speakON on www.neutrik.com.

NEUTRIK AG LI T: +423/237 24 24 F: +423/232 53 93
 NEUTRIK USA Inc. USA T: +1 704 / 972 3050 F: +1 704/438 9202
 NEUTRIK (UK) Ltd. UK T: +44 1983/ 811 441 F: +44 1983/811 439
 NEUTRIK Vertriebs GmbH DE/NL/AT/DK T: +49 8131/ 280 890 F: +49 8131/280 830

NEUTRIK France FR T: +33 1/4131 6750 F: +33 1/4131 0511
 NEUTRIK Tokyo Ltd. JP T: +81 3/3663 4733 F: +81 3/3663 4796
 NEUTRIK Hong Kong Ltd. HK T: +852/2687 6055 F: +852/2687 6052
 NEUTRIK India Pvt. Ltd. IND T: +91/982 05 43 424 F: +91/22 26163 540

Draft. Nr.: BDA 148 | Update: 22.11.2016 | Data subject to change without prior notice. ©2016 NEUTRIK®. ALL RIGHTS RESERVED. NEUTRIK® is a registered trademark.