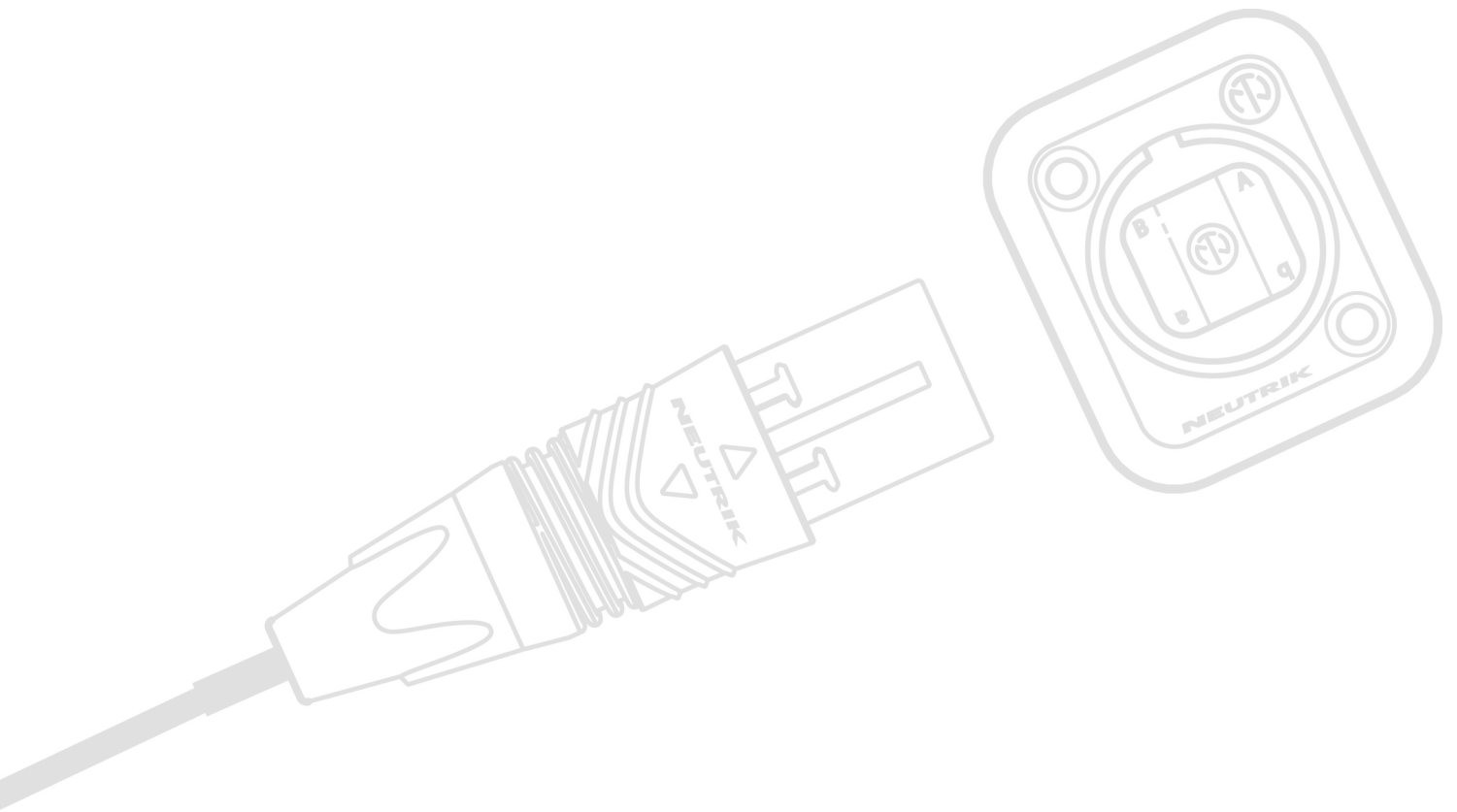




HANDLING INSTRUCTION

opticalCON LITE MTP® | Maintenance





CAUTION: Laser radiation, do not look directly into beam of light!

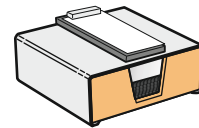
Do not disassemble the opticalCON MTP® cable connector if not required. The rubber protection cap mechanism of the opticalCON avoids contamination of the MTP® ferrule locked inside. The dust-proof design reduces maintenance intervals to a minimum; if nevertheless necessary, follows the maintenance procedure below to avoid damages on the due to inproper cleaning.

A. Connector Cleaning

- Intervall: every 500 matings recommended
- Tools:
- 99% isopropyl alcohol (IPA) or cleaning fluid (FOCD-CF)
 - Lint-free wipes (FOCD-DW)
 - Cleaning brush (FOCD-DCM)



FOCD-CF



FOCD-DW



FOCD-DCM

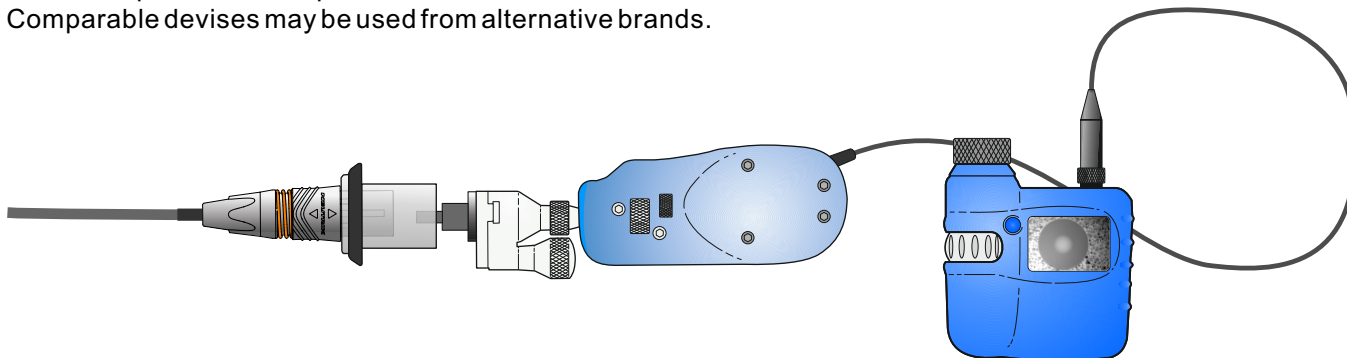


1. Disconnect both cable ends for safety reasons. Invisible laser radiation may be emitted from disconnected fibers or connectors. Do not stare into beams or view directly with optical instruments.
2. Untight the connector housing and remove carefully the insert.
3. Inspect MTP® ferrule with adequate inspection equipment (see section (B)).
4. Fold a lint-free wipe FOCD-DW into a square (2 layers thick).
5. Moisten one section of the wipe with one drop of alcohol. Be sure that a portion of the wipe remains dry.
6. Wipe lightly the ferrule tip on the alcohol moistened portion of the wipe. Immediately repeat this wiping action on the dry section of the wipe to remove any residual alcohol.
7. Dispose the wipe, NEVER REUSE A WIPE.
8. Check condition of the ferrule surface with corresponding inspection equipment (see section (B)).
9. Repeat the process if necessary.
10. Insert the cleaning brush straight into the guidance holes of the MTP® ferrule. Remove dust residuals by rotating the tip of the brush.
11. After the cleaning procedure slide connector rear-shell onto the adapter. Align the key on the insert to the cutout on the connector front shell.
12. Screw both connector parts tightly together.

B. Inspection - MTP® ferrule

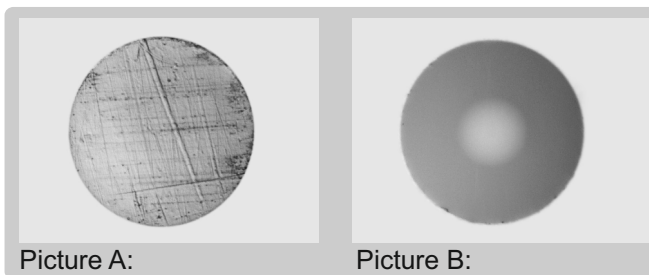
For fiber inspection use available video probe MTP® – adapter and monitor. Listed products below are approved and correspond with the opticalCON MTP® cable connector and chassis.

Comparable devices may be used from alternative brands.



Tools:

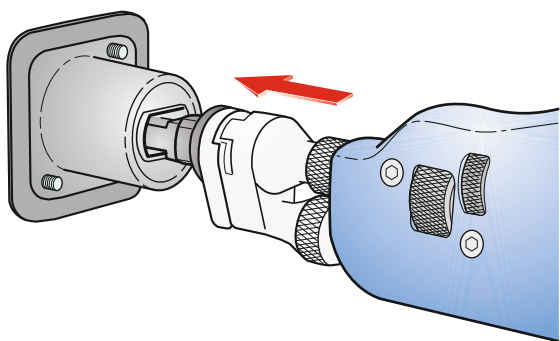
- JDSU HD3-P* (Fiber Monitor)
- JDSU FBP-P5* (Video Probe)
- JDSU FBPT-MTP* (MTP Adapter)



Picture A:

Picture B:

During inspection procedure, make sure that each ferrule is completely free of dust. As a reference the ferrule has to look as illustrated on picture (B).

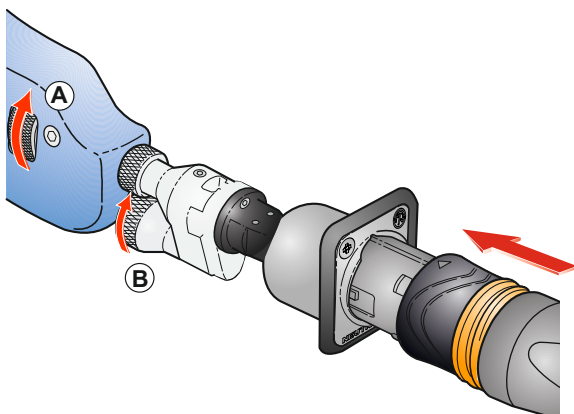


1. Connect the MTP® adapter on the rear side of the opticalCON MTP® chassis connector.

NOTE: Choose the corresponding MTP® adapter according the used ferrule type PC / APC.

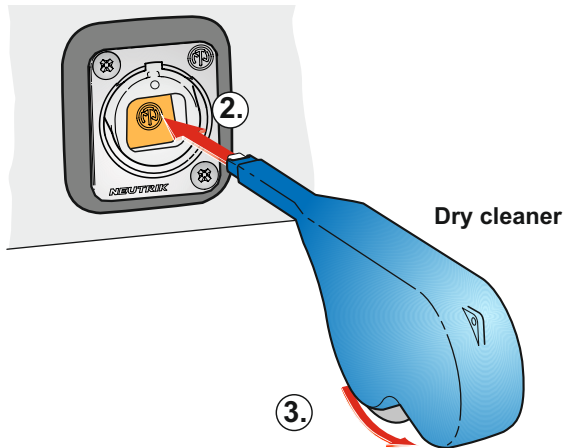
2. Plug in the MTP® -cable in the front of the opticalCON MTP® chassis.

ATTENTION: Make sure that the connector is completely locked.



3. Check the condition of the MTP®-surface with help of the fiberscope. Focus the video probe by rotating the focus wheel (A). For switching to the next ferrule rotate the wheel on the MTP®-adapter (B).

C. Chassis Cleaning



Dry cleaning using FOCD-DC-MTP®

1. Remove dust cap and insert the tip of the dry cleaning cleaner
2. Guide the tip to the dry cleaner into the chassis housing.
3. Rotate the plastic wheel to start the cleaning procedure. An endless lint free tape removes dust particle on the ferrule surface of the MTP® connector on the rear of the chassis.
4. After cleaning procedure, remove dry cleaner and covers the tip with the dust cap.

A microscopically inspection as described on section B is recommended after each cleaning procedure. Use a standard MTP® chassis to inspect the rear mount MTP® cable.

