

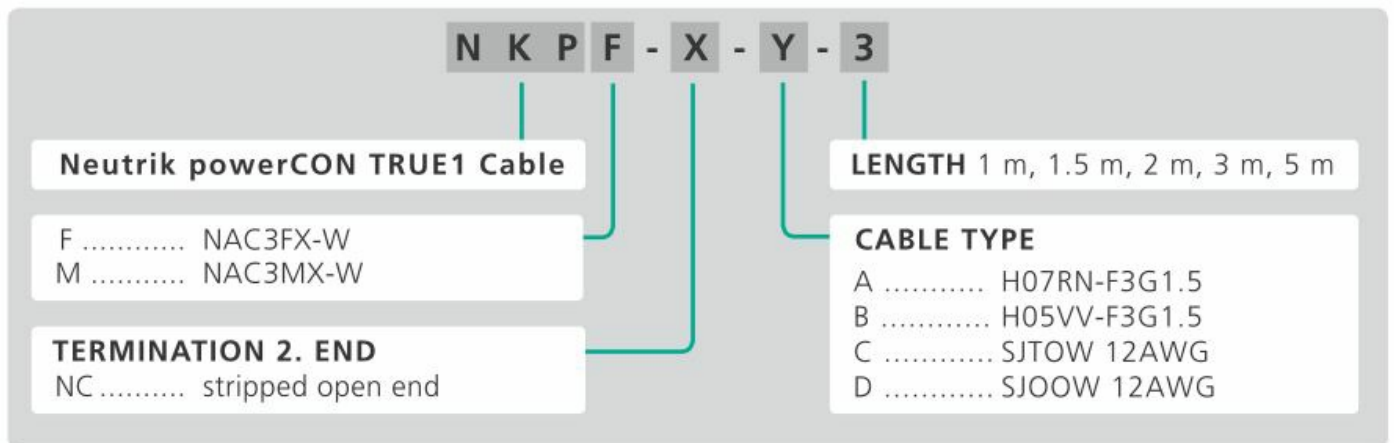


## powerCON TRUE1 Power Cord

Ready-made overmolded power cord in protection class IP65. The cable utilizes standard duty cord with 3 conductors with cross section 1.5 mm<sup>2</sup> or AWG 12.

The cables are equipped with overmolded Neutrik powerCON TRUE1 NAC3FX-W or NAC3MX-W. The other end is open for termination of local connectors. Overmolded local connectors on request. The cables are available in different lengths.

### Cable Part Number Breakdown



### powerCON TRUE1

The powerCON TRUE1 is a locking waterproof 16 A (USA: 20 A) true mains connector. It replaces appliance couplers wherever a very rugged solution in combination with a locking device is needed in order to guarantee a safe power connection.

The powerCON TRUE1 is a connector with breaking capacity (CBC), i.e. it can be connected or disconnected under load or live.

powerCON TRUE1 Power Cable male



Mating scenario powerCON TRUE 1 chassis connector NAC3FPX-W

APPLIANCE OUTLET

POWER OUT



Mating scenario powerCON TRUE 1 chassis connector NAC3MPX-W

APPLIANCE INLET

POWER IN



## Mating scenario powerCON TRUE 1 chassis connector NAC3PX

### APPLIANCE COMBINATION



## powerCON TRUE1 Power Cord

