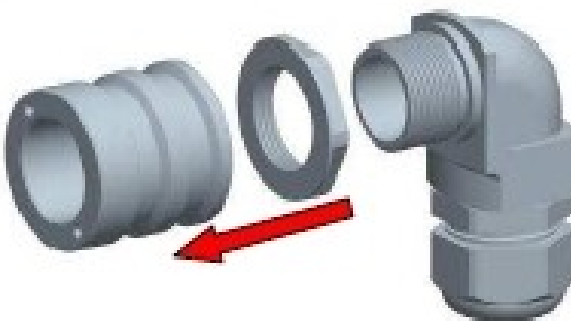




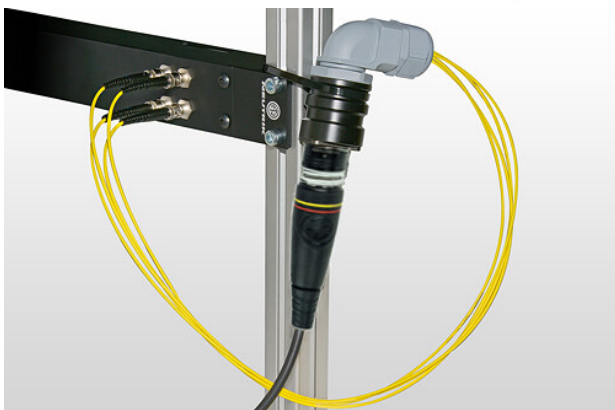
NAOBO

NAOBO is a flexible chassis mounting and adaption solution with cable strain relief to meet any kind of standard fiber connector (z.B. LC, SC, ST). With a cable tie it can be fixed to a rack. The breakout adapter can be mounted straight or angled.

Breakout-Adapter-Kit consisting of 1 NAOBO plastic housing, 1 counter nut, 1 90° rear shell, 1 PG-gland, 1 cable tie and 2 screws.



NAOBO can be equipped with any D-size chassis connector.



Breakout-Adapter-Kit - scope of delivery



Straight mount



Angled mount



NAOBO application example



Technical Information

| Product | |
|---------|-------|
| Title | NAOBO |

| Mechanical | |
|--------------------------|-------------|
| Wiresize | |
| Durchmesser Kabelauslass | 7.5 - 13 mm |