

NAHDMI-W

HDMI feedthrough adapter, D-shape housing.

Compatible with both standard HDMI patch cables and Neutrik's locking, pre-terminated NKHDMI-* cable assemblies.

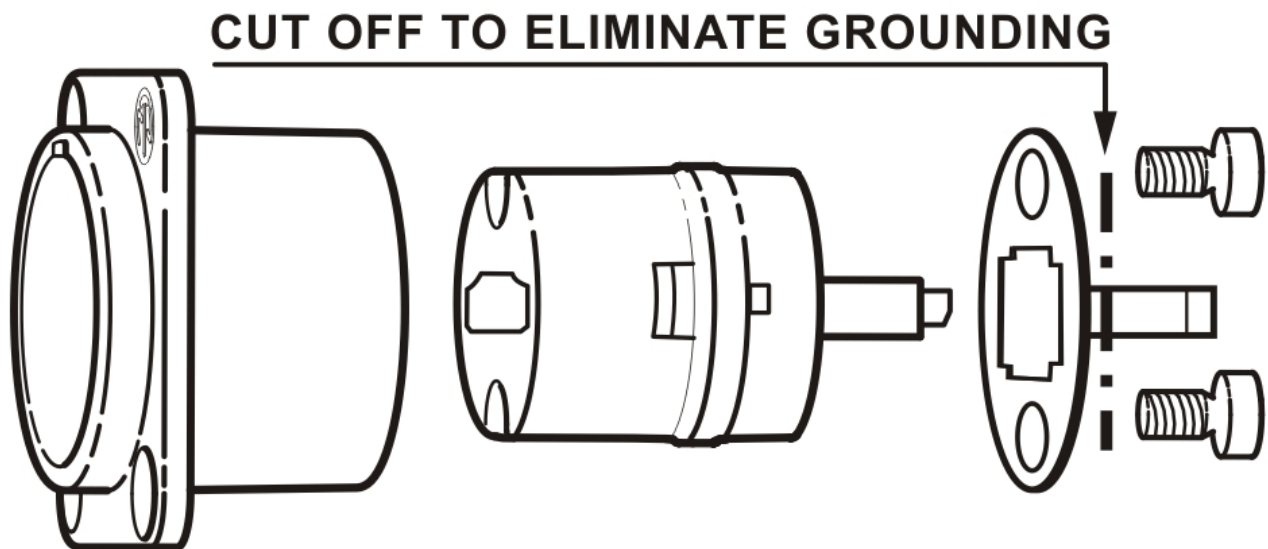
Easily integrated into video networks, Neutrik's HDMI solutions transmit video signals at the full HDMI 2.0 specification with cables up to 3 meters in length.



Features & Benefits

- Data rate up to 18 GBit/s
- To transmit any digital TV and PC video format including high-definition video (HDTV).
- HDMI feedthrough adapter with 19 pole HDMI receptacle at both ends
- IP65 ingress protection in mated condition with NKHDMI-* and SCDP-* sealing gasket
- Universally accepted standard D-shape housing
- Removable screen to chassis grounding
- Shielded system - high noise immunity and EMI protection due to continuous 360 degree shield

Removable screen to chassis grounding



Technical Information

Product	
Title	NAHDMI-W
Connection Type	Adapter
Gender	female

Mechanical	
Wiresize	
Locking device	Push-Pull
Mounting direction	Front or rear mounting (max 2 mm panel thickness)
Chassis shape	D
Lifetime	> 1000 mating cycles

Material	
Contact plating	Au
Contacts	Brass (CuZn39Pb3)
Insert	
Shell	Zinc diecast (ZnAl4Cu1)
Shell plating	Nickel

Environmental	
Flammability	UL 94 V-0
Standard compliance	HDMI 2.0
Temperature range	-25 °C to +85 °C