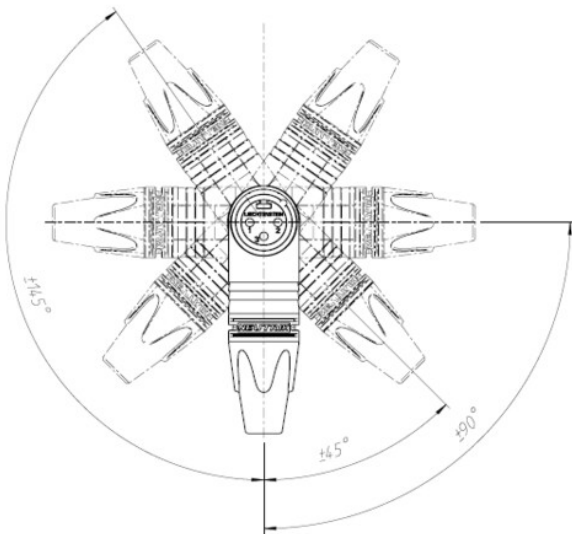




NC3MRX

3 pole right angle male cable connector, nickel housing, silver contacts

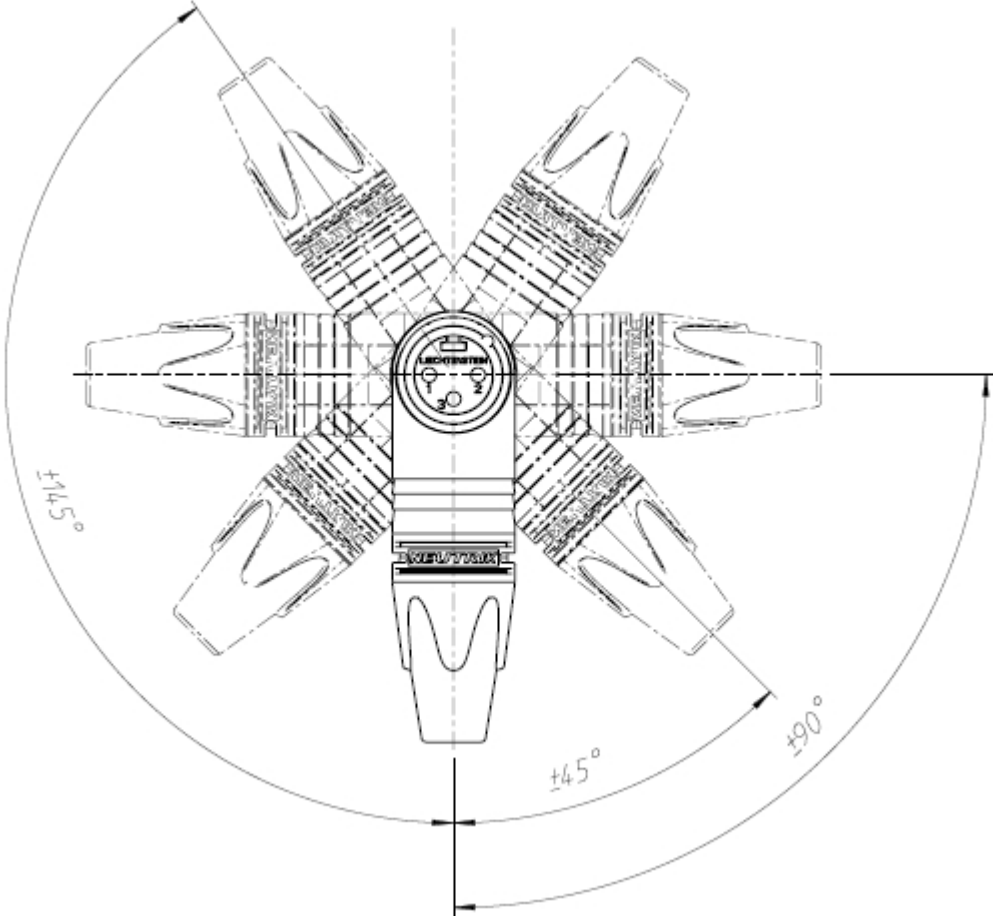
The RX Series is the right angle version of the XX cable connector series. The successor of the RC series offers several new features which make it more reliable, easier to assemble and improves contact integrity as well cable strain relief.



Features & Benefits

- Extra slim right-angle connector
- Male connector with improved locking recess without "window", more stringent housing increases durability
- Boot with polyurethane gland gives high protection to cable bending stresses
- Sleek and ergonomic design - valuable and handy
- 7 selectable cable outlet positions
- Improved chuck type strain relief provides higher pull-out force and makes assembly easier and faster
- Coloured rings and boots available for coding or identification

Outlet Positions



Technical Information

Product	
Title	NC3MRX
Connection Type	XLR
Gender	male

Electrical	
Capacitance between contacts	$\leq 4 \text{ pF}$
Contact resistance	$\leq 3 \text{ m}\Omega$
Dielectric strength	1,5 kVdc
Insulation resistance	$> 2 \text{ G}\Omega$ (initial)
Rated current per contact	16 A
Rated voltage	$< 50 \text{ V}$

Mechanical	
Cable O.D.	3.5 - 8.0 mm
Insertion force	$\leq 20 \text{ N}$
Withdrawal force	$\leq 20 \text{ N}$
Lifetime	> 1000 mating cycles
Wiresize	max. 2.5 mm ²
Wiresize	max. 14 AWG
Wiring	Solder contacts
Locking device	Latch lock

Material	
Boot	Polyurethan
Contact plating	2 µm Ag
Contacts	Bronze (CuSn8)
Insert	Polyamide (PA66)
Locking element	Zinc diecast (ZnAl4Cu1)
Shell	Zinc diecast (ZnAl4Cu1)
Shell plating	Nickel
Strain relief	Polyacetal (POM)

Environmental	
Flammability	UL 94 V-0
Standard compliance	IEC 61076-2-103
Protection class	IP 40
Solderability	Complies with IEC 68-2-20
Temperature range	-30 °C to +80 °C